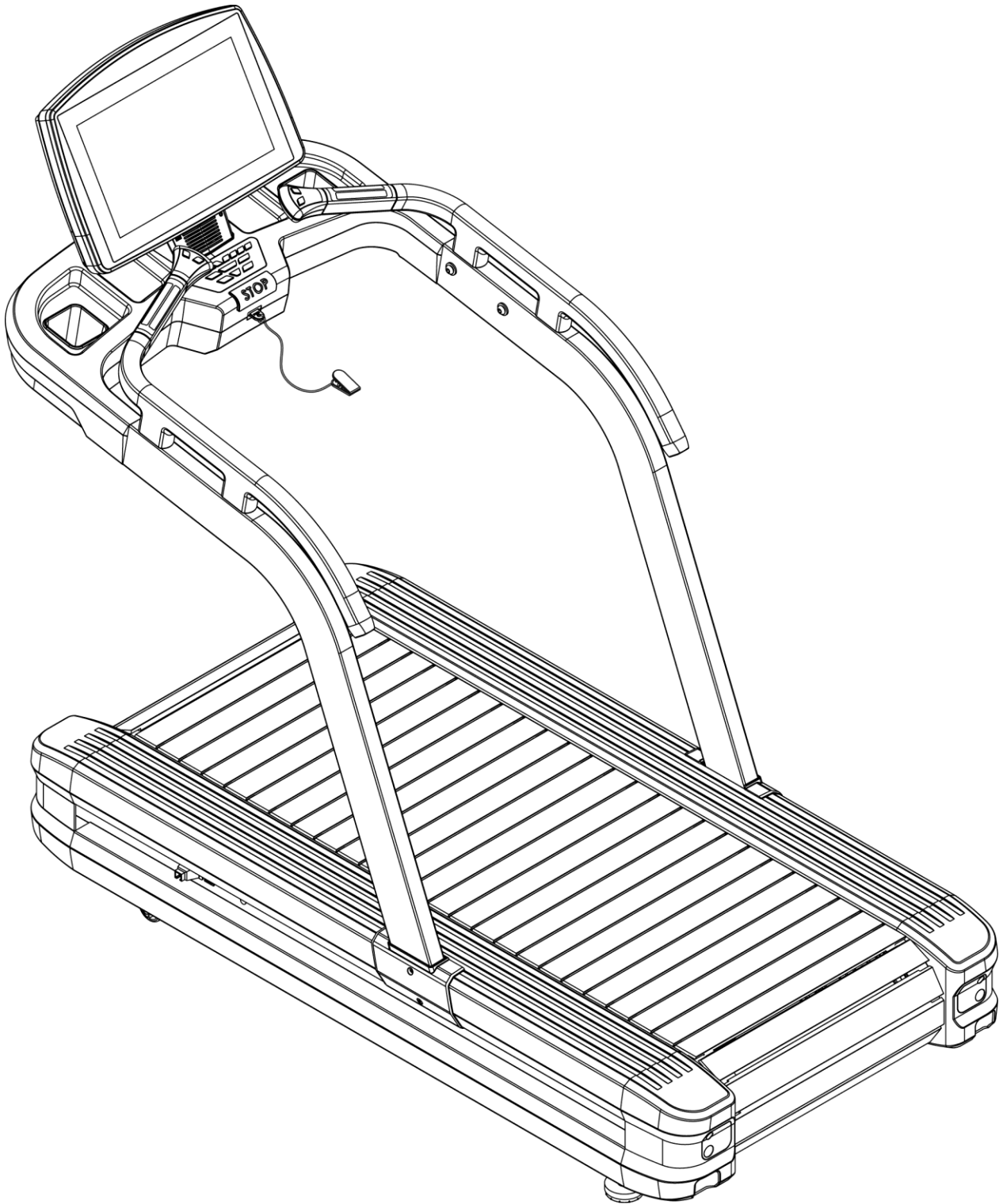


# CP14L9HB1A

## Maintenance manual



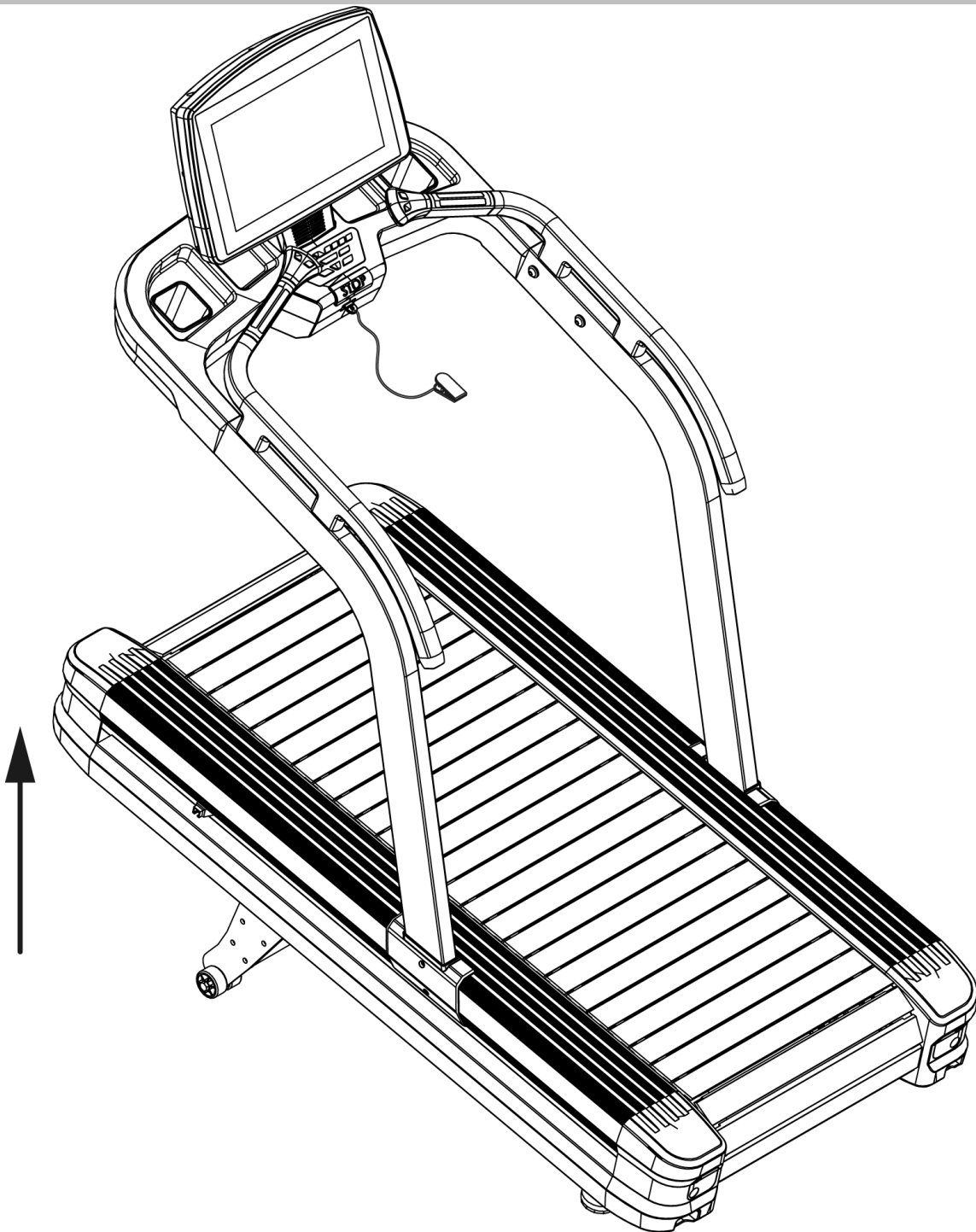
## Content

---

1. Change running board .....	2
2. Change motor .....	6
3. Change incline motor .....	12
4. Change silica gel decal .....	17
5. Change computer console panel .....	19
6. Change wire collection board and heart pulse board .....	21
7. Change Rails .....	23
8. Change Front Roller .....	28
9. Change Rear Roller .....	34
10. Change lower controller, filter, electricity pole, ERP small board, magnetic brake ..	40

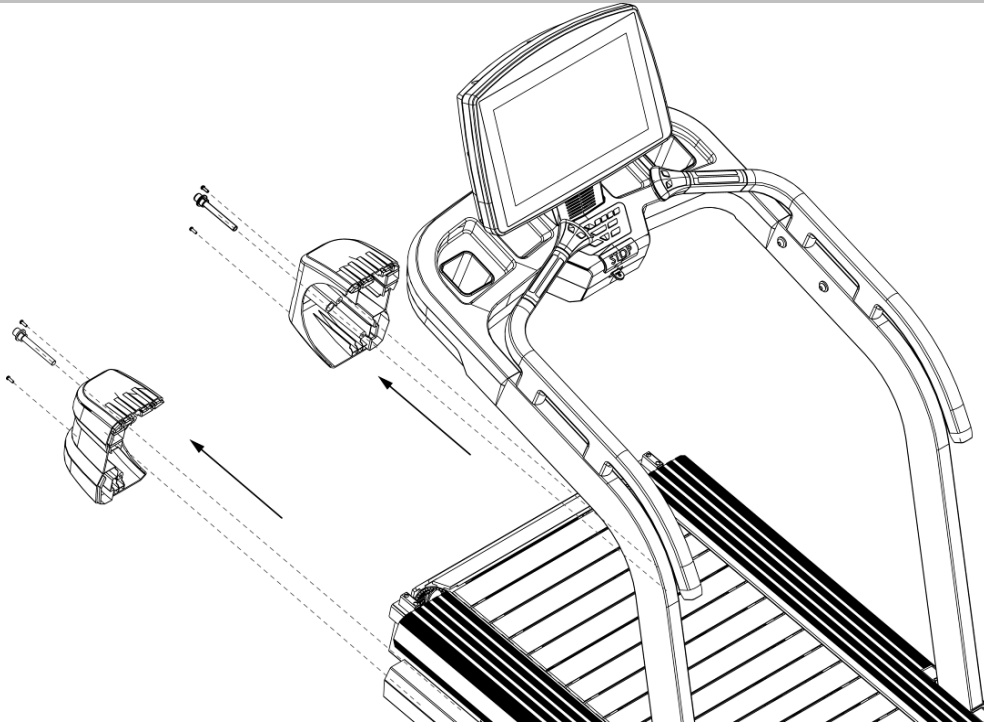
## 1. Change running board

### STEP 1



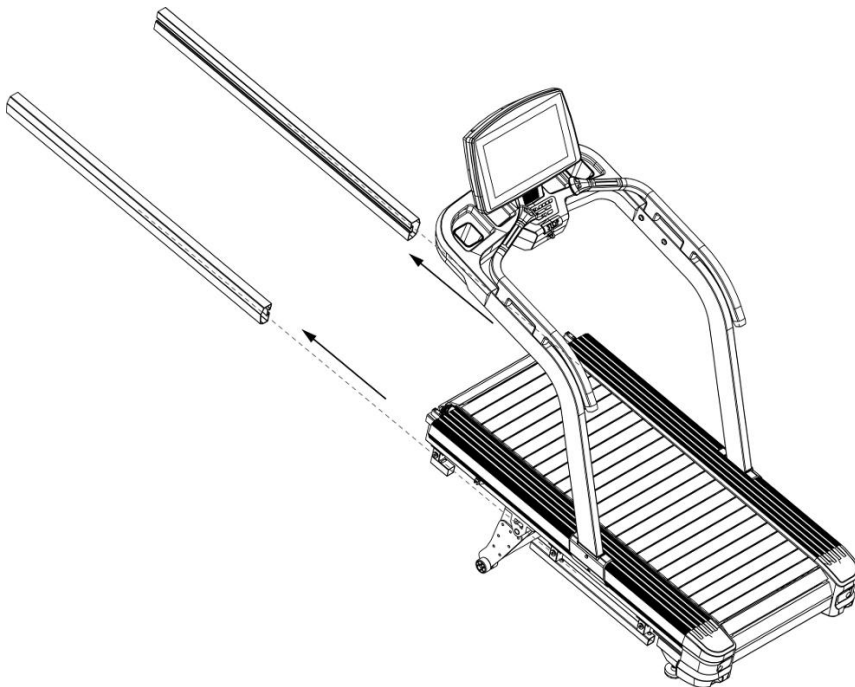
Firstly, incline the machine to the highest point, and then power off and plug out the power cable to keep the machine in this position.

## STEP 2



Firstly, incline the machine to the highest point, and then power off to keep the machine in this

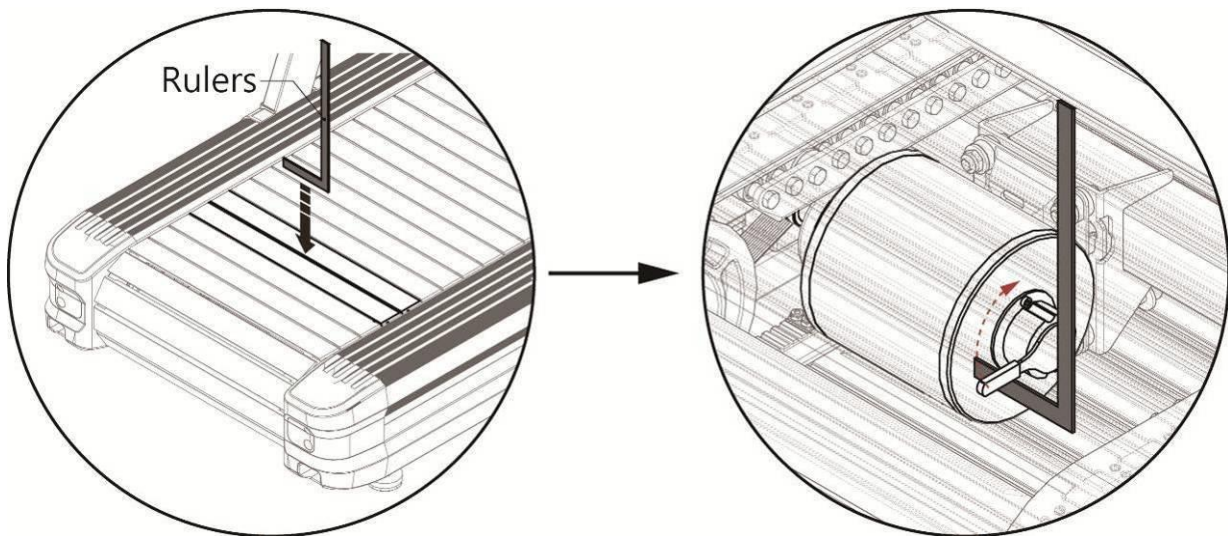
## STEP 3



Draw out the left and right side boards.

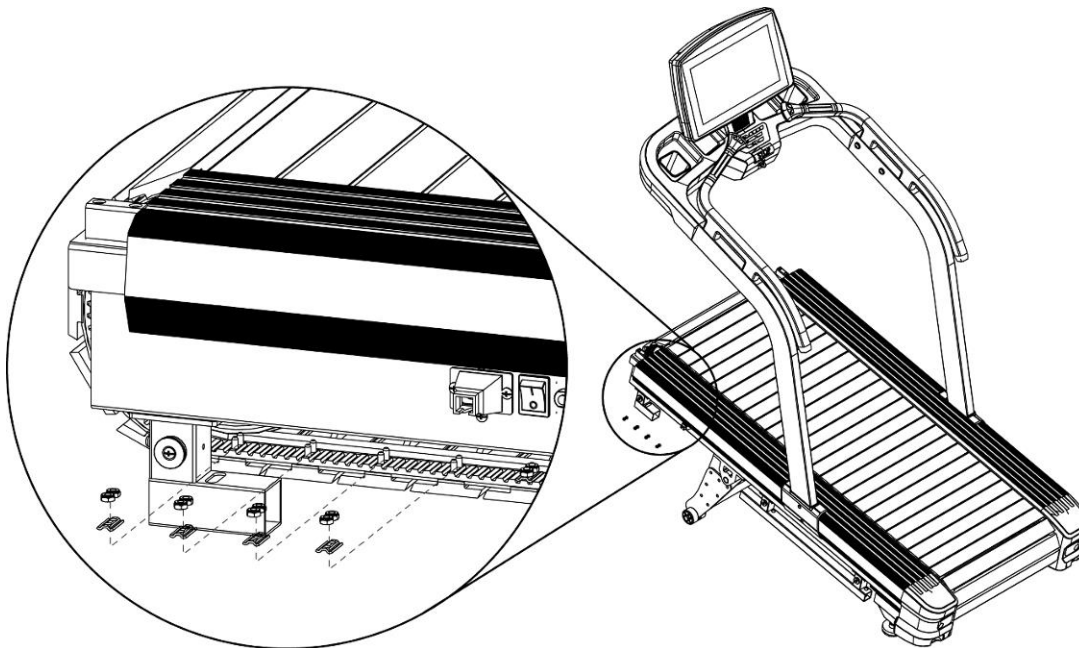


## STEP 4



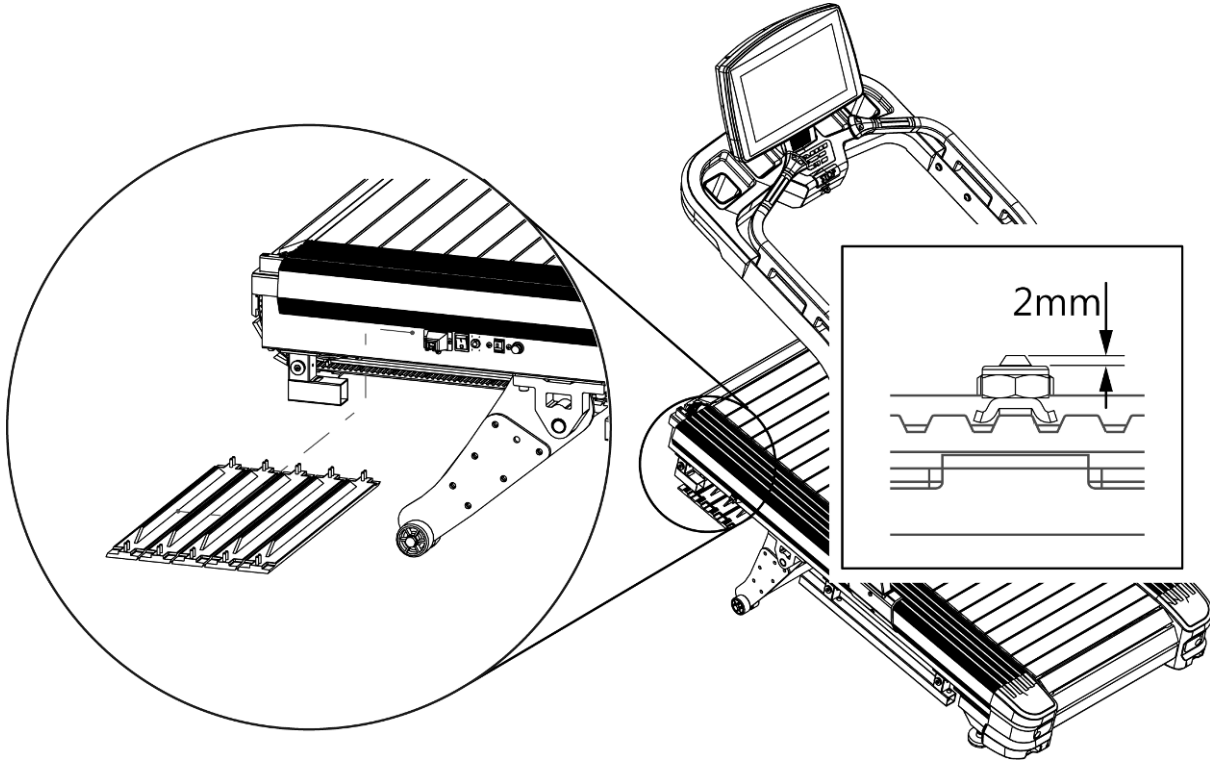
Pull up the rod of magnetic brake behind the motor with a tool (as rulers) to loosen the magnetic brake.

## STEP 5



Loosen nylon nuts and padding plated at the left and right sides in the running board which should be changed, according to the image.

## STEP 5

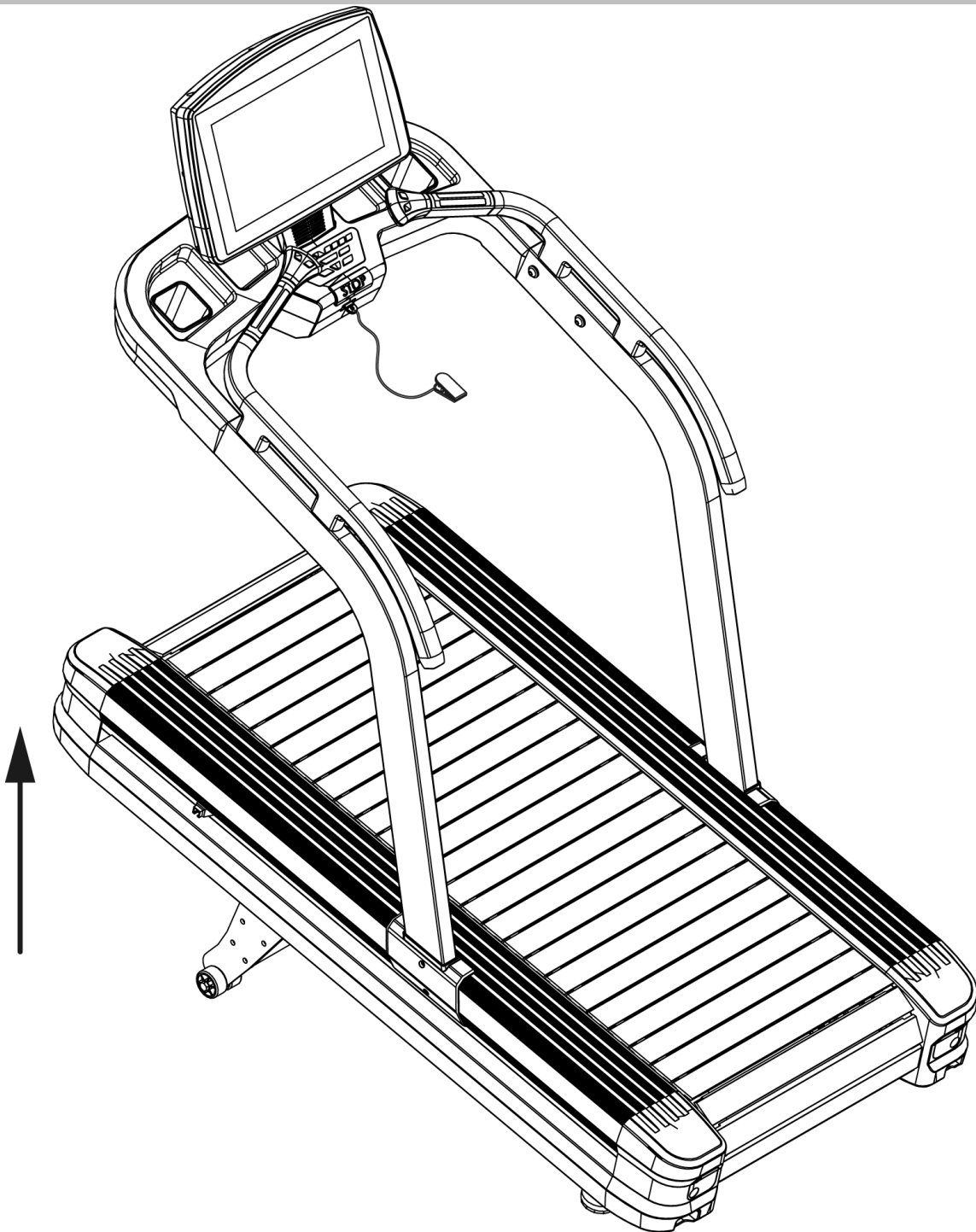


Take off the old running board and then assemble the new one.

After changing, lock back the nylon nut. When install back the screw, please ensure there will be the tiny part with 2mm of the screw is outside. Finally, install back the parts in the reversed orders of the disassembly.

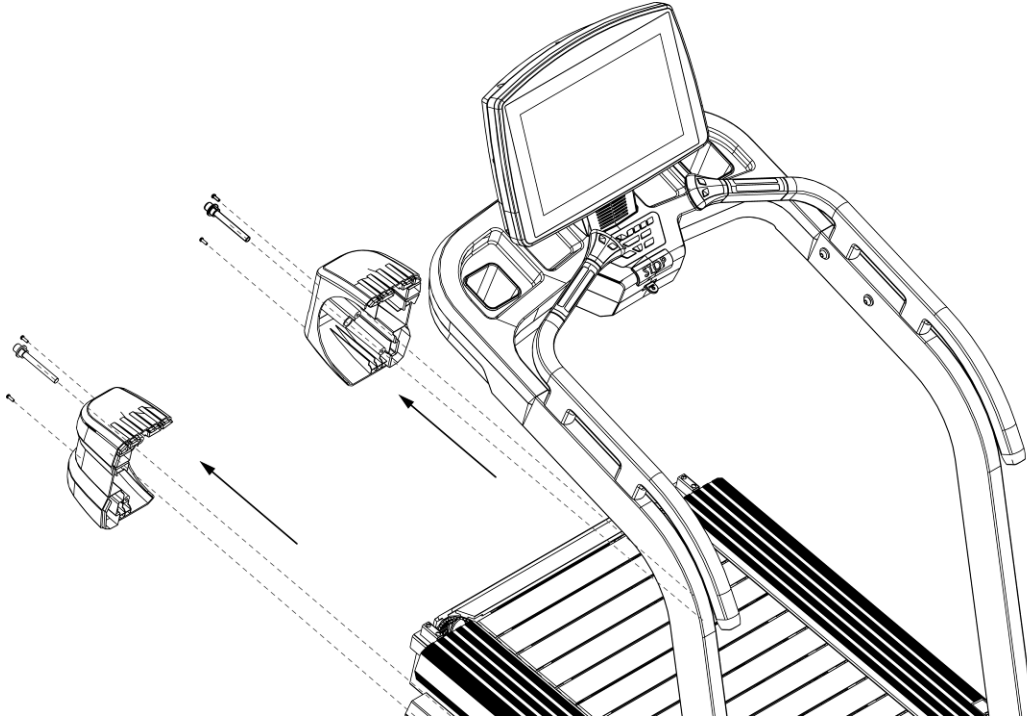
## 2. Change motor

### STEP 1



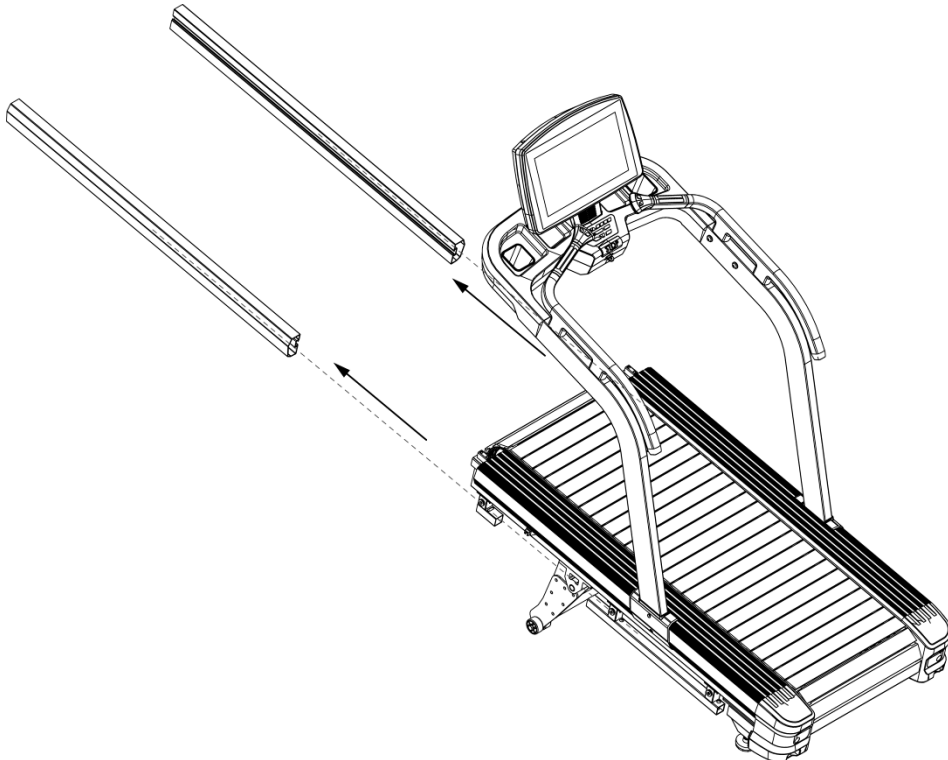
Firstly, incline the machine to the highest point, and then power off and plug out the power cable to keep the machine in this position.

## STEP 2



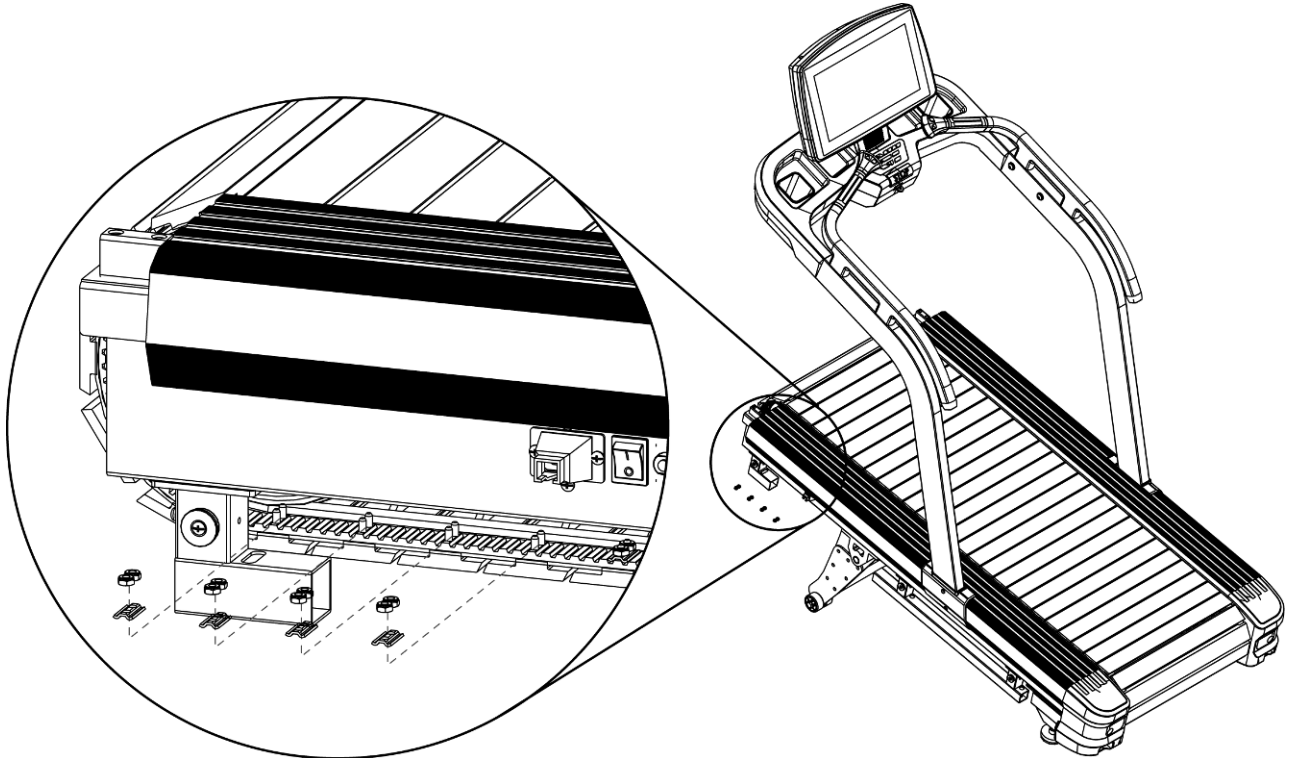
Loosen the fixing screws for the left and right front adjusting caps, and take off the adjusting caps.

## STEP 3



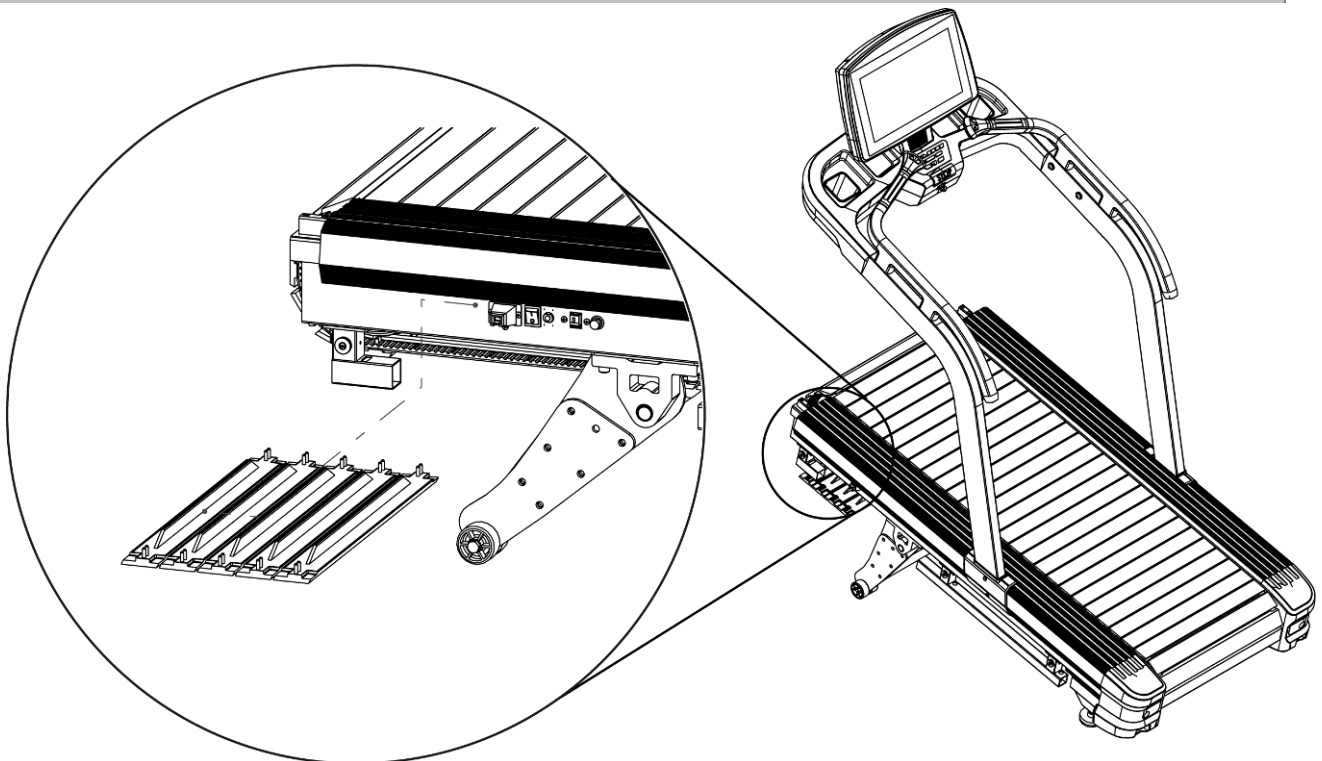
Draw out the left and right side boards.

## STEP 4



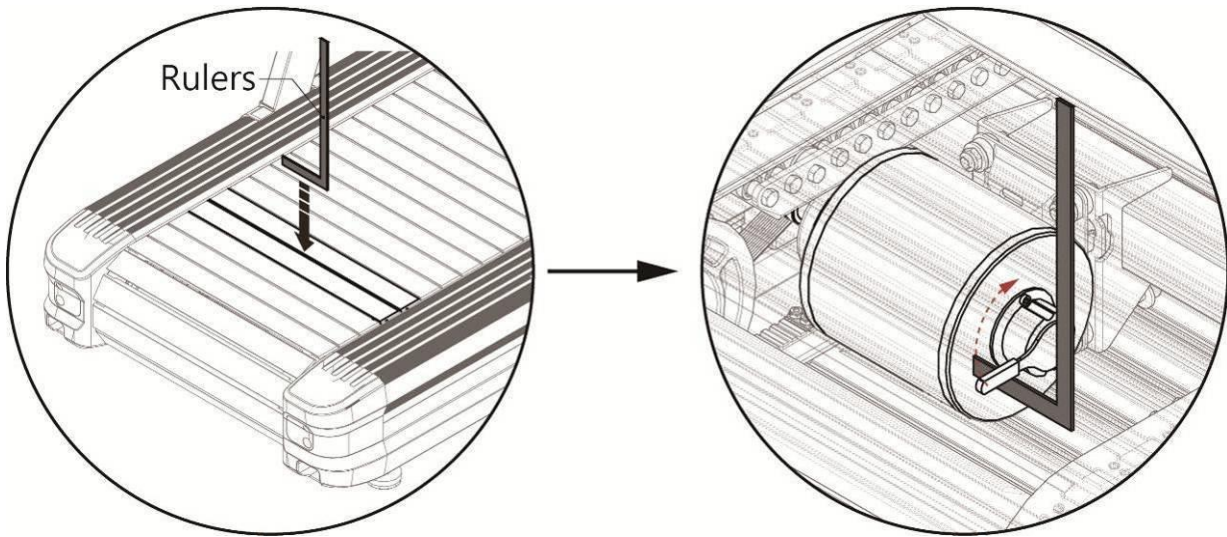
Loosen 4-5 pieces of nylon nuts and padding plated in the running board, according to the image.

## STEP 5



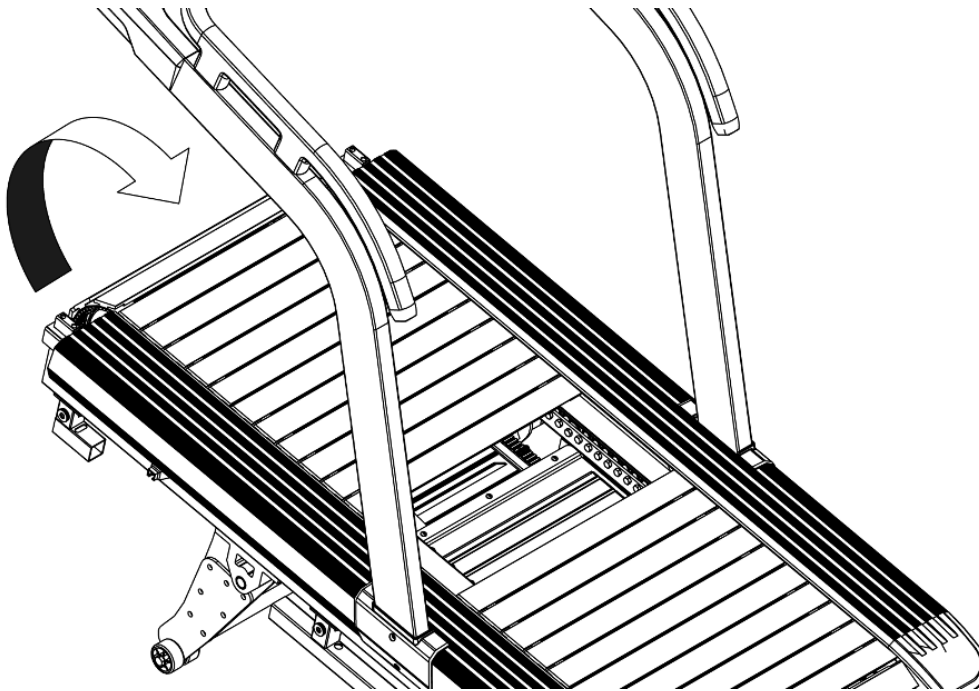
Take off 4~5 pieces of running boards.

## STEP 6



Pull up the rod of magnetic brake behind the motor with a tool (as rulers) to loosen the magnetic brake.

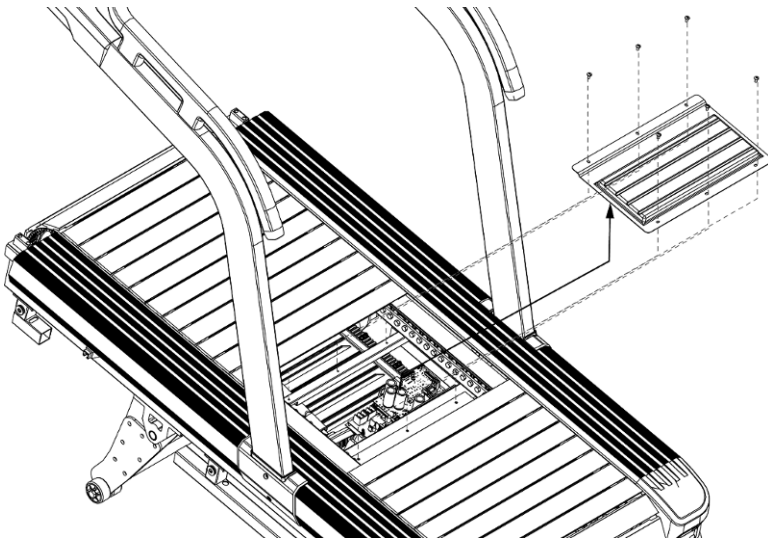
## STEP 7



Turn the running board above the water-proof board

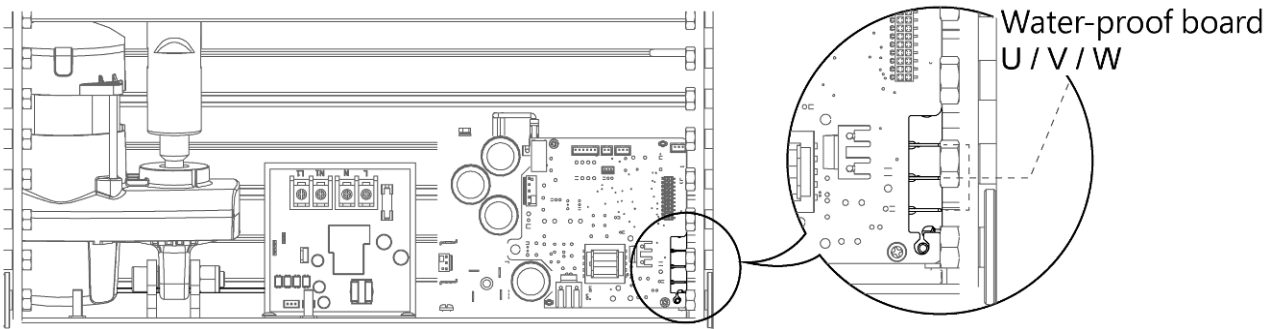


## STEP 8



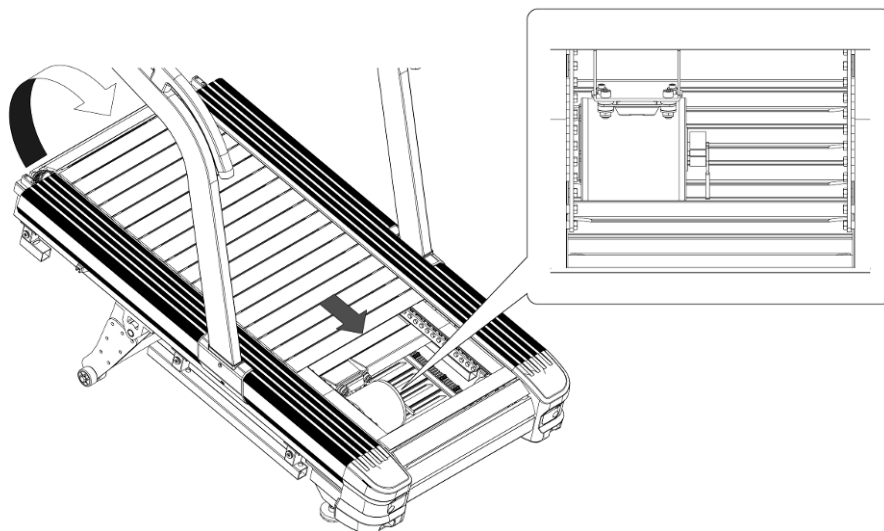
Abiding by the image to loosen the screw and take off the water-proof board.

## STEP 9



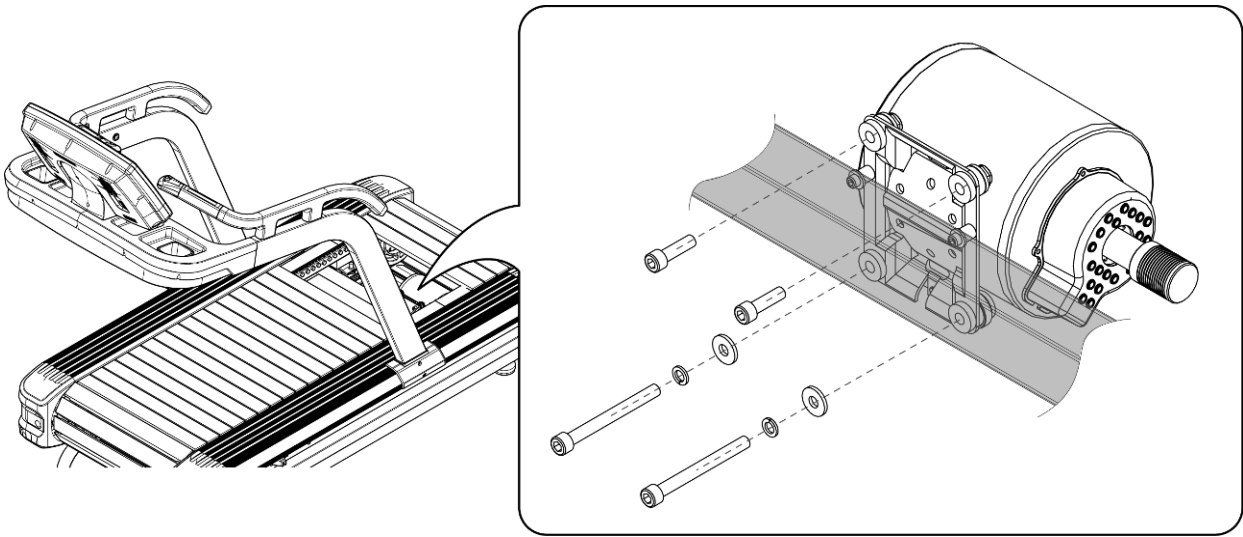
Pull out the motor wires (U.V.W)

## STEP 10



Turn the running board to the position where the motor can be seen clearly

## STEP 11

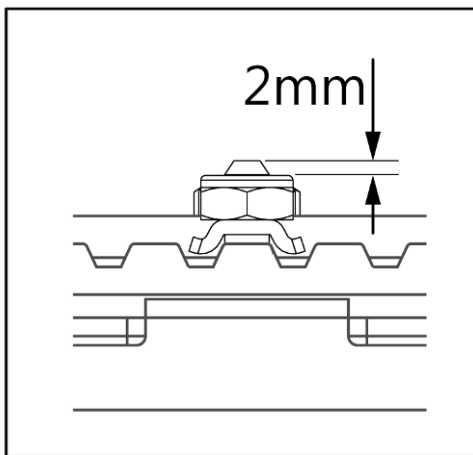


Turn the running board to the motor and loosen 4 fixing screws. Carry on the motor to take out the motor.

## STEP 12

After changing, install back the parts in the reversed orders of the disassembly.

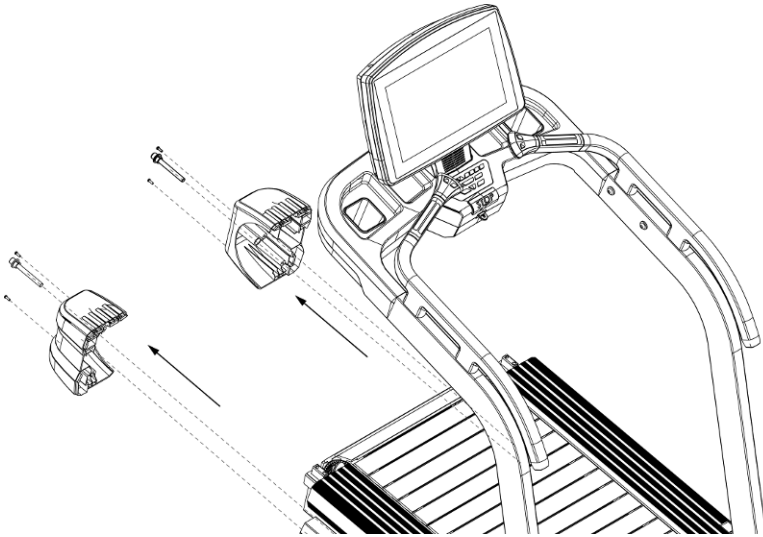
Attention: When install back the screw, please ensure there will be the tiny part with 2mm of the screw is outside.





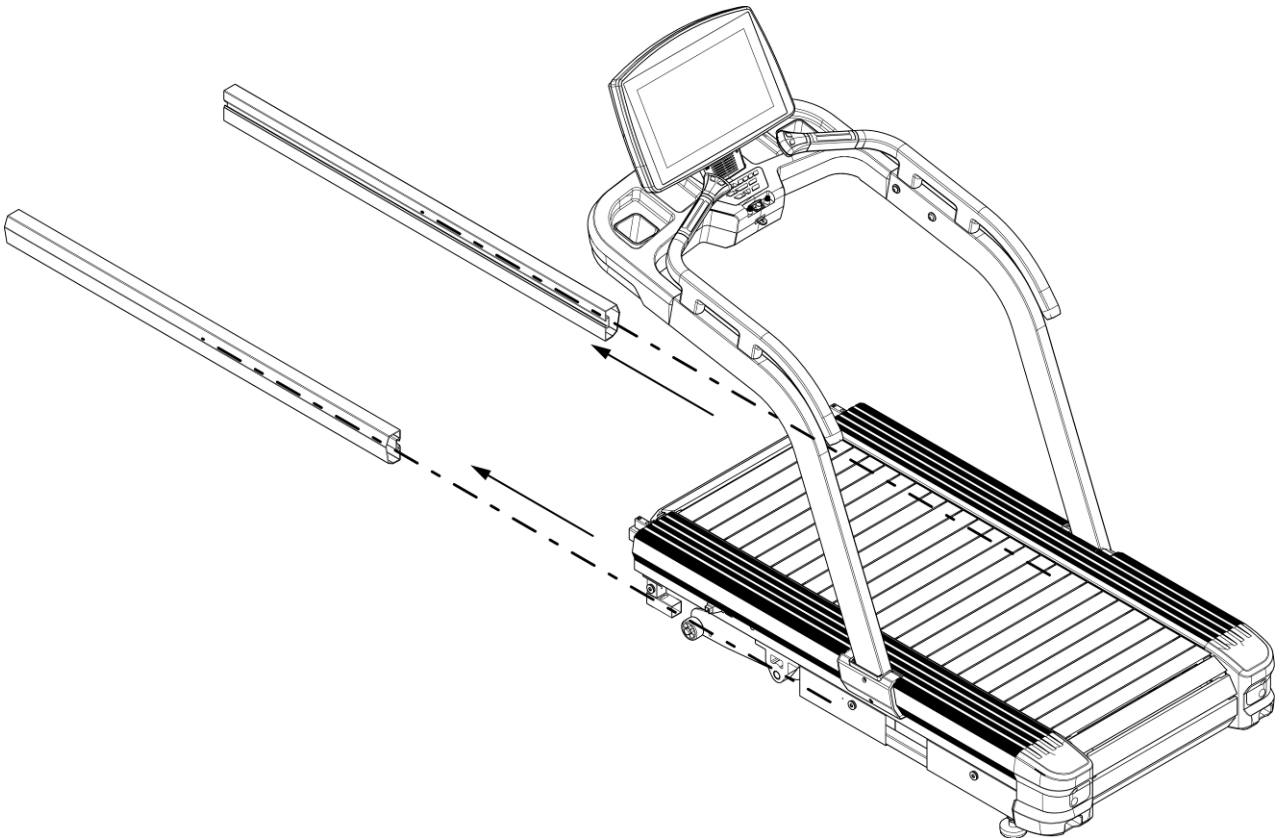
### 3. Change incline motor

#### STEP 1



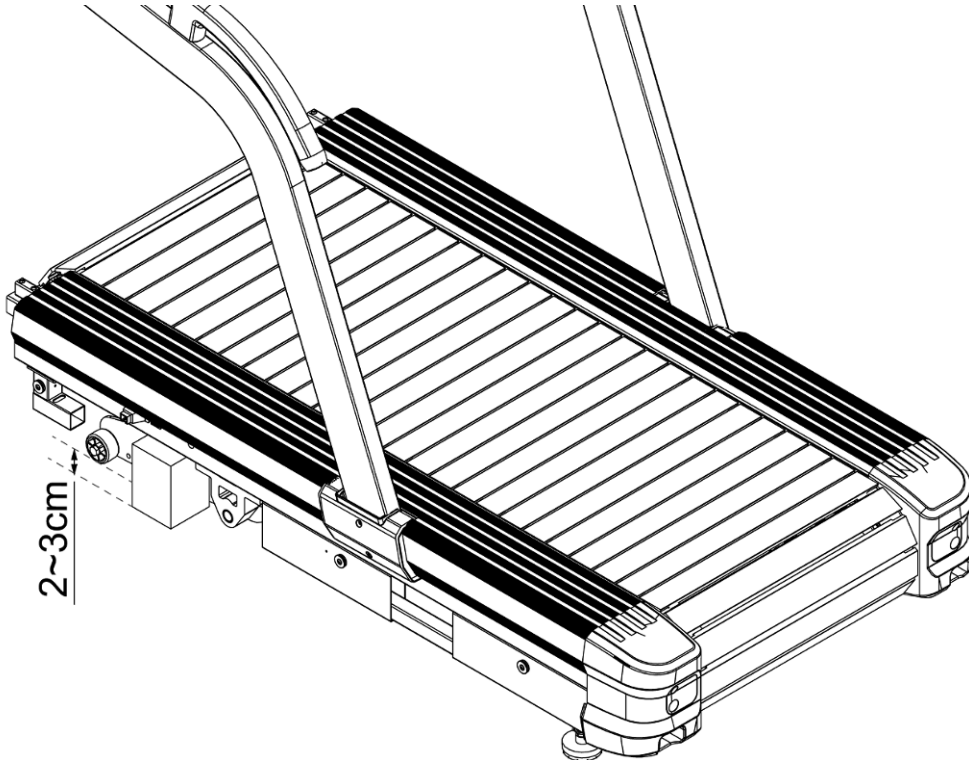
Loosen the fixing screws for the left and right front adjusting caps, and take off the adjusting caps.

#### STEP 2



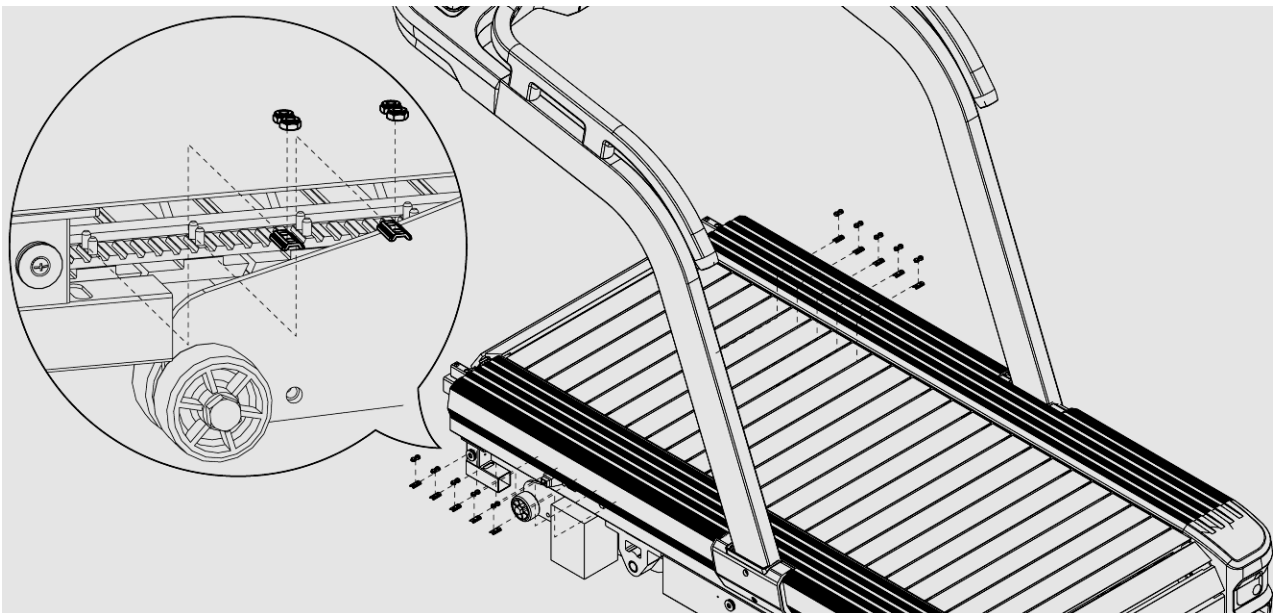
Draw out the left and right side boards.

### STEP 3



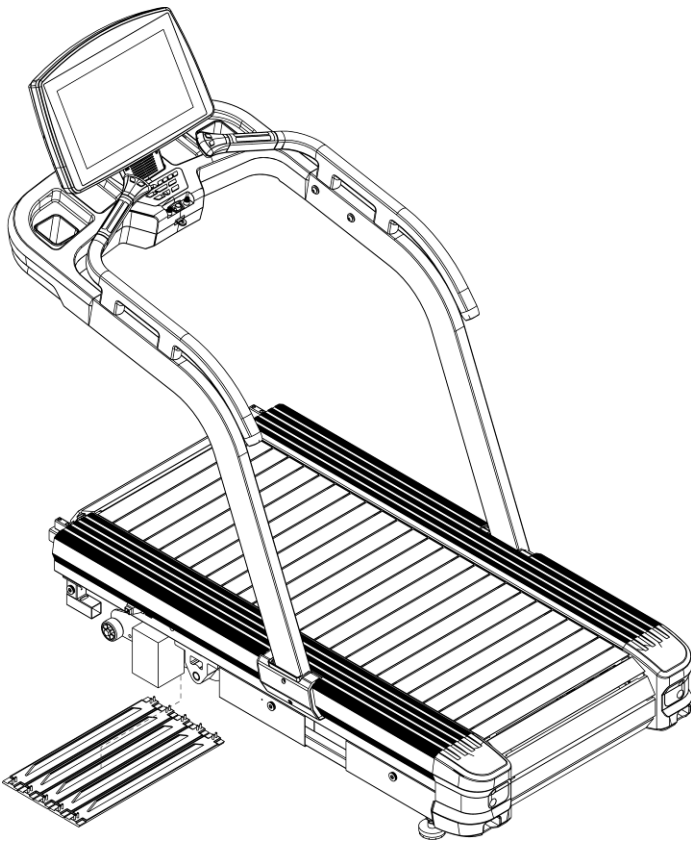
At that moment, please prepare two solid stuff to support at two sides of the frame to make the rolling wheel of the incline seat above the floor 2~3cm.

### STEP 4



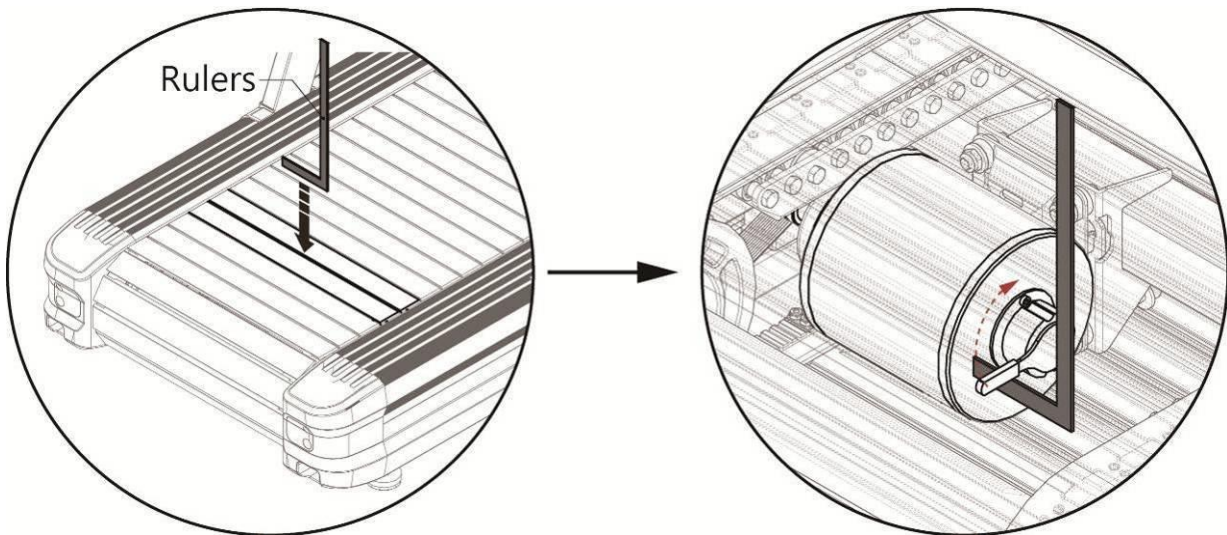
Loosen 4-5 pieces of nylon nuts and padding plated in the running board, according to the image.

## STEP 5



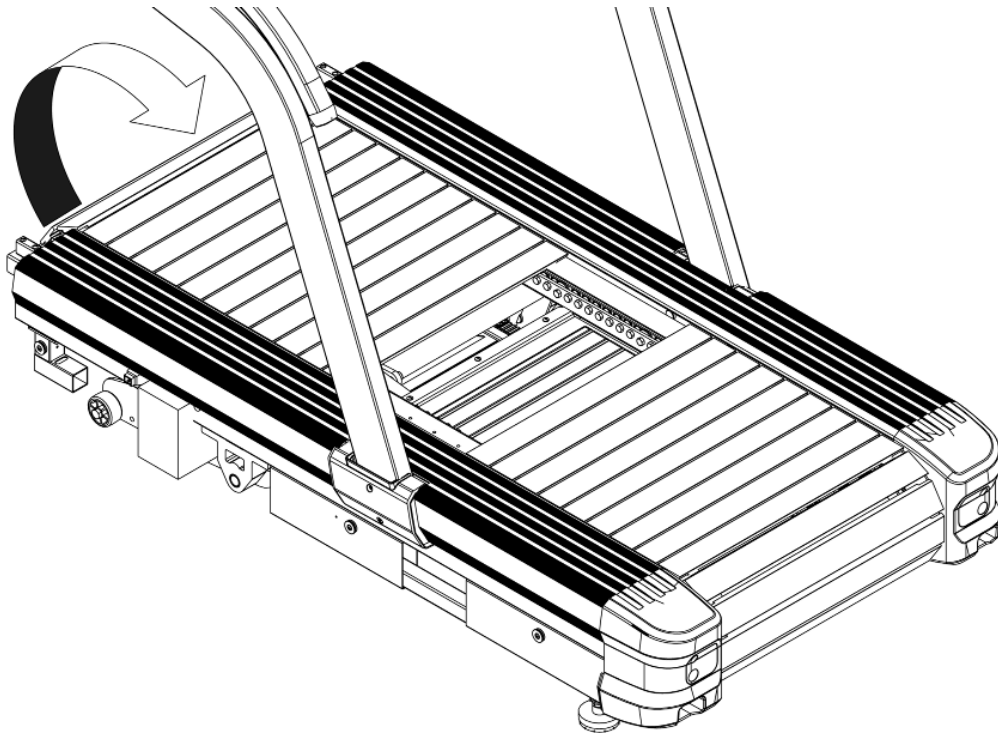
Take off 4~5 pieces of running boards.

## STEP 6



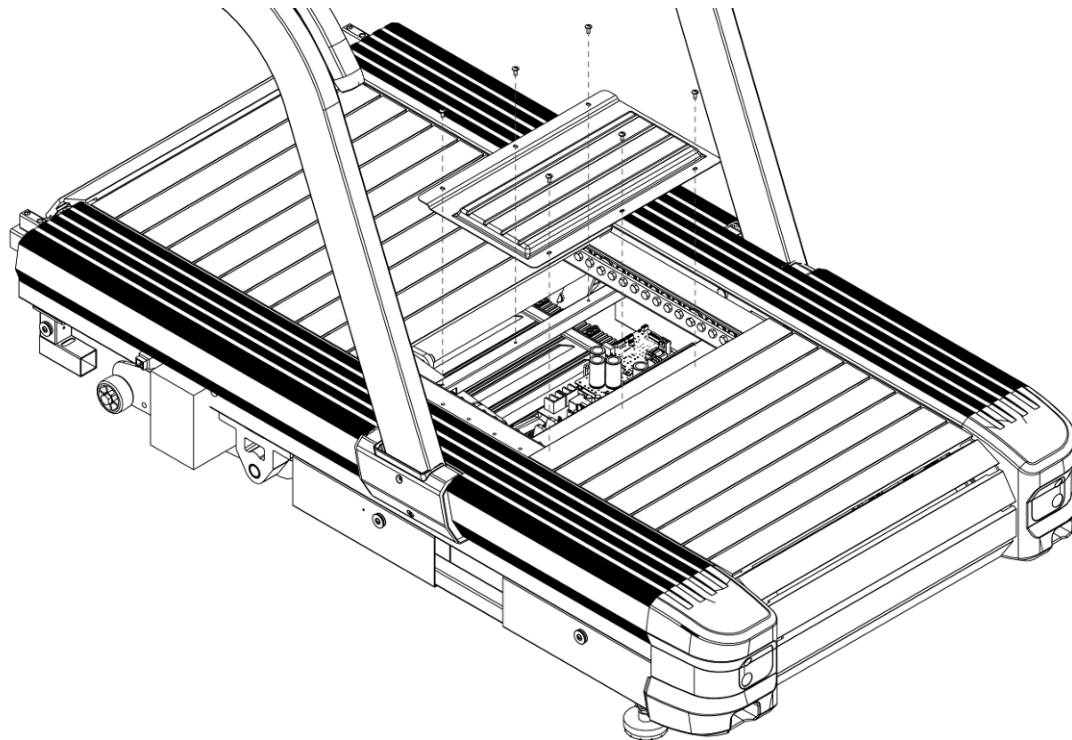
Pull up the rod of magnetic brake behind the motor with a tool (as rulers) to loosen the magnetic brake.

## STEP 7



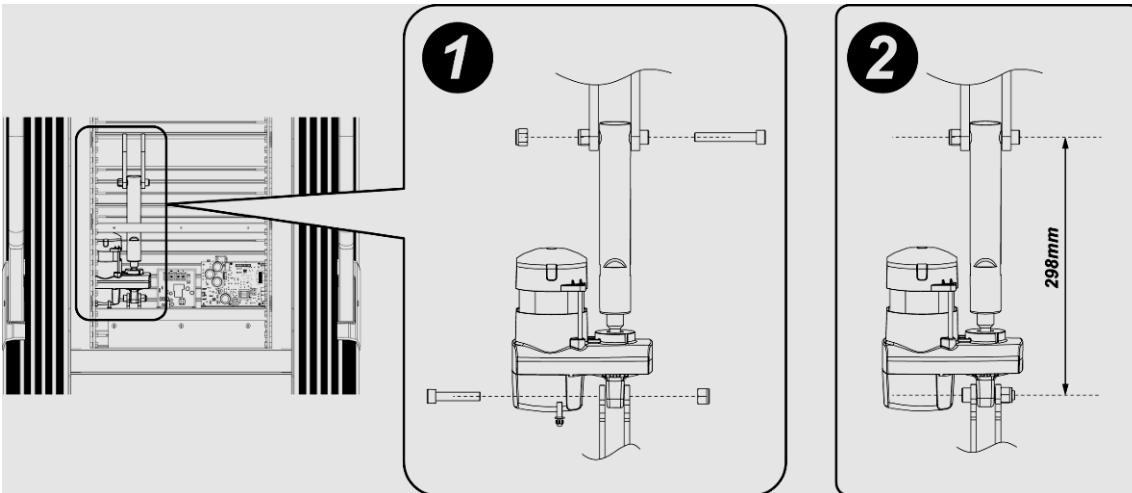
Turn the running board above the water-proof board

## STEP 8



Abiding by the image to loosen the screw and take off the water-proof board.

## STEP 9

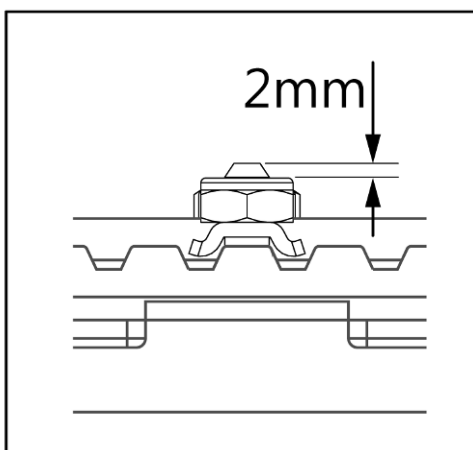


Firstly, plug out the wires, and then take off the screw and nylon nut in the bushings, finally, take off the screw and nylon nut in the frame to change the incline motor as the image 1. After changing of the incline motor, the emendation should be done: hold the incline motor, and then turn on the power. After pressing the start key until the inline roller stop rotation, the emendation is finished.

**Attention: the distance between the screws in the bushing and frame is 298mm, as the image 2.**

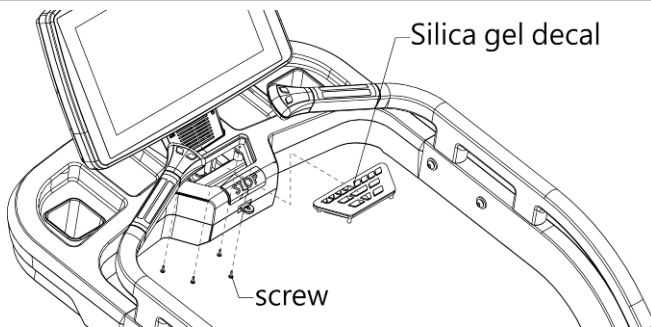
After emendation, please install back the parts in the reversed orders of the disassembly before.

**Attention: when install back the running board, the screw should have 2 mm part to be revealed.**



## 4. Change silica gel decal

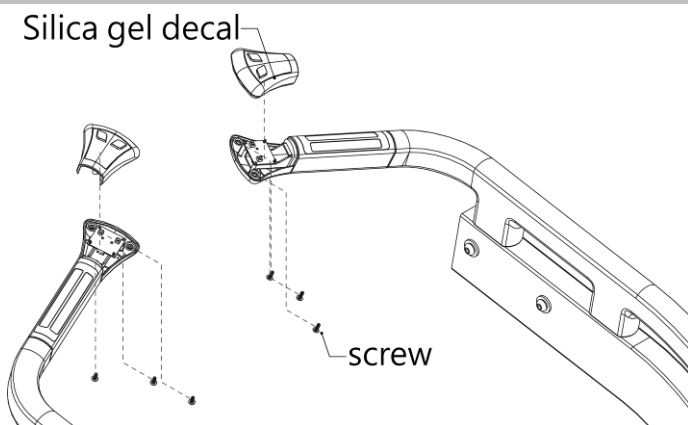
### Change the machine board of the control box



There are four holes under the control box, cross through the holes to take off the fixing screws with the prepared cross screwdriver. Take off the upper cover of the control box, and then disassemble the air connector of the membrane connection wire. After tearing up the old membrane, please ensure the gel on the rubber surface is cleared off and then stick the new membrane to the rubber and connect the wire. Locking back the screws to finish. (It is suggested to take the picture before taking off to avoid mix.)

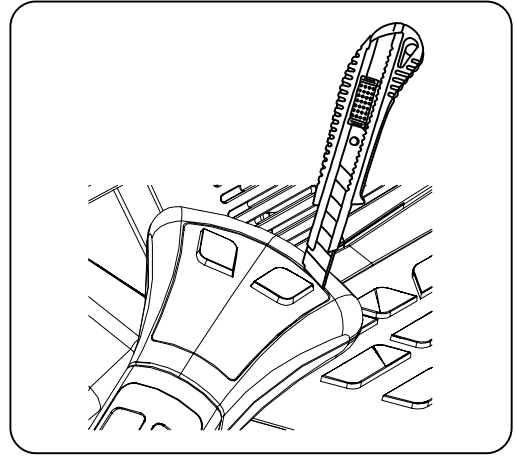
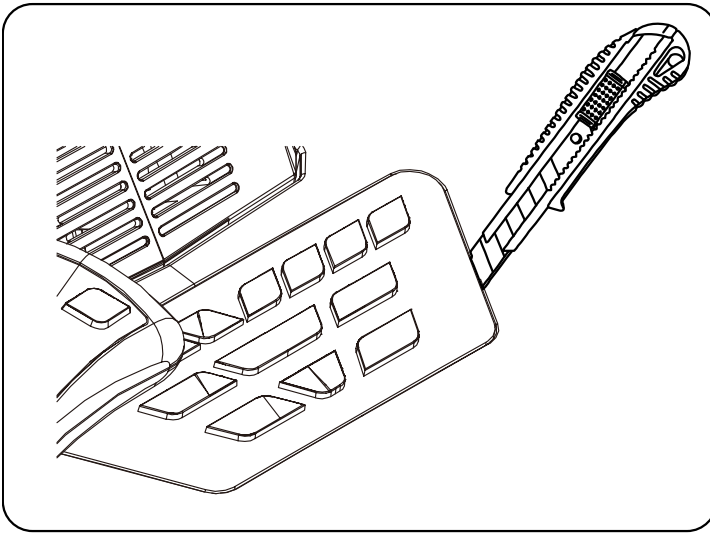
**Attention: the surface should be flat when stick the membrane and press around the membrane with fingers to ensure no gap which will cause touch doesn't work result from poor touch.**

### Change the key machine board of the hand rail



According to the image, take off the fixing screws, and then disassemble the air connector of the silica gel connection wire, tear up the old one and stick the new one to the rubber, and then connect the wire, finally lock back the screw.

**change the control box and the gel key of the hand rail**

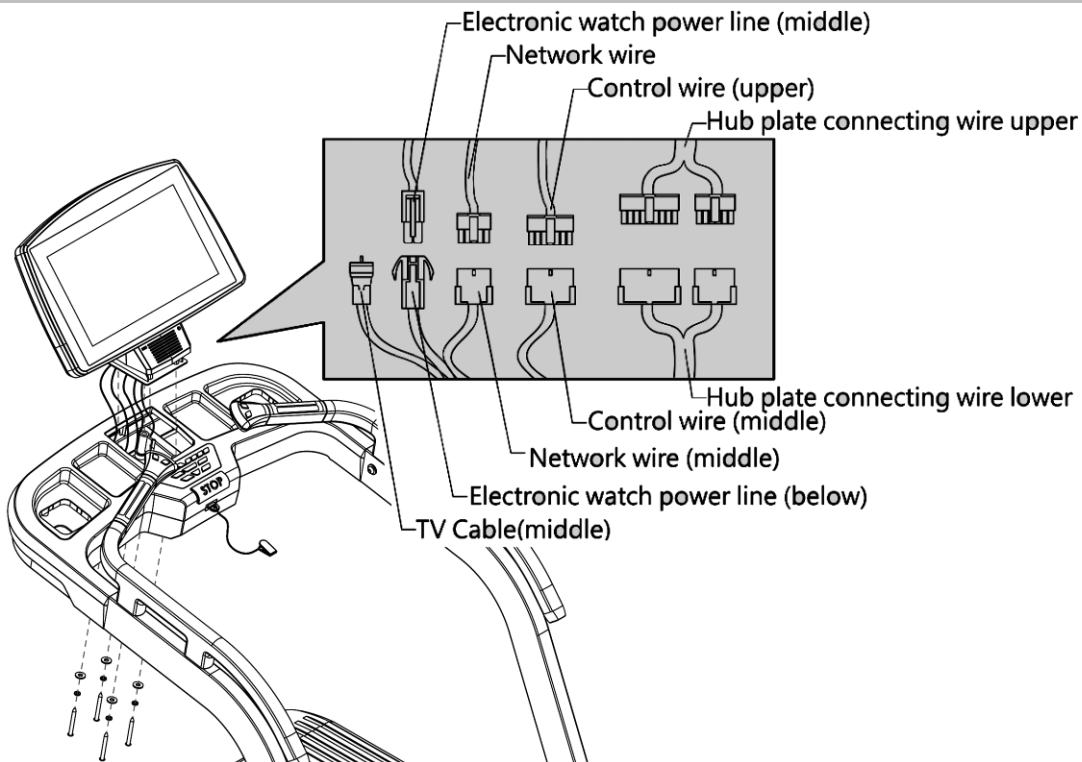


Embed the knife into the space between the control box and handrail to turn up the gel key to change the control box and gel key.



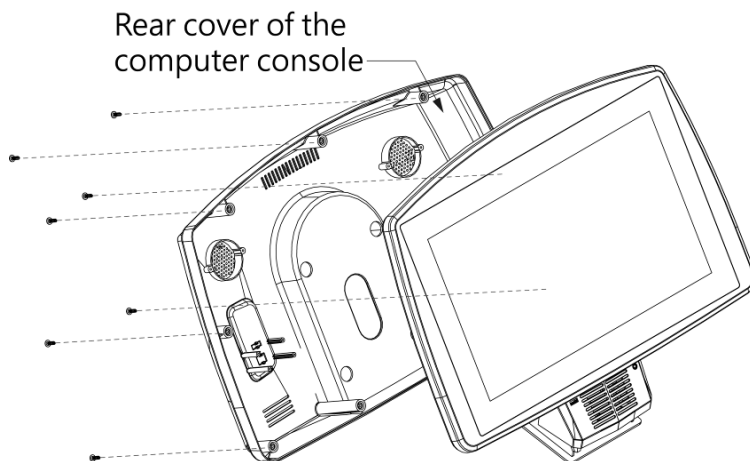
## 5. Change computer console panel

### STEP 1



Take off the screw and washer in the computer console and water bottle shelf, and then plug out the wire to take off the computer console.

### STEP 2



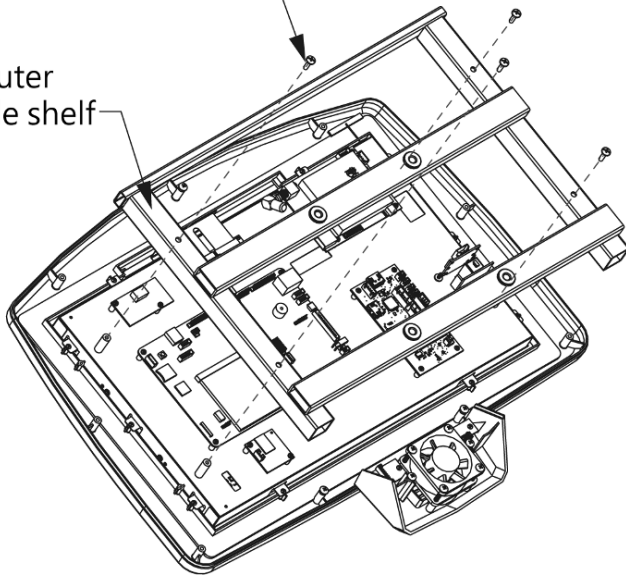
Loosen the fixing screws of the computer console, carry up the rear cover of the computer console and then take up the rear cover of the computer console.



### STEP 3

Fixing screws of the  
computer console shelf

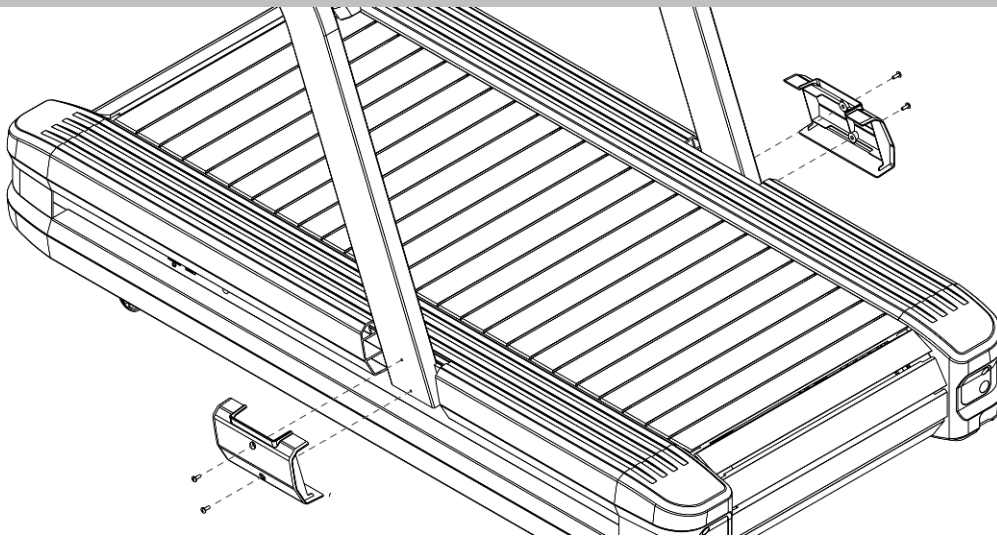
Computer  
console shelf



When change the panel, please make notice for the installation position of the wires, please do not plug into the wrong position. It is suggested to take a picture before changing. If the screen and other parts need to be changed, please loosen the fixing screws of the computer console shelf firstly, and then take off the shelf to change other relevant parts. After changing, test before use.

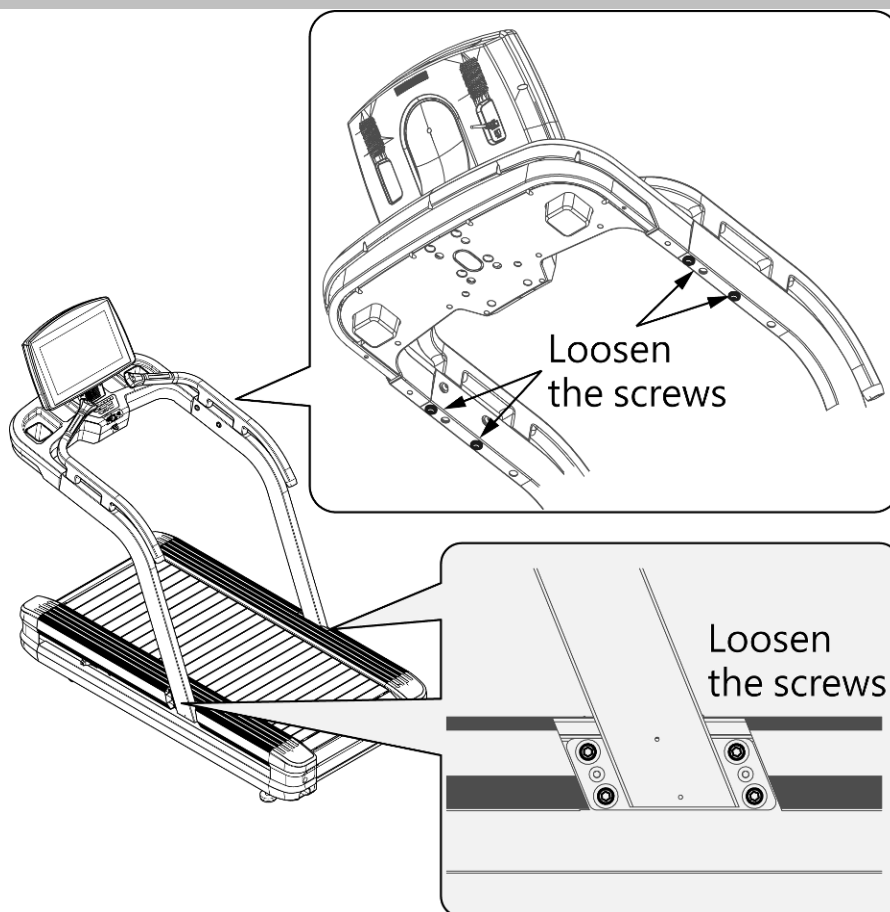
## 6. Change wire collection board and heart pulse board

### STEP 1



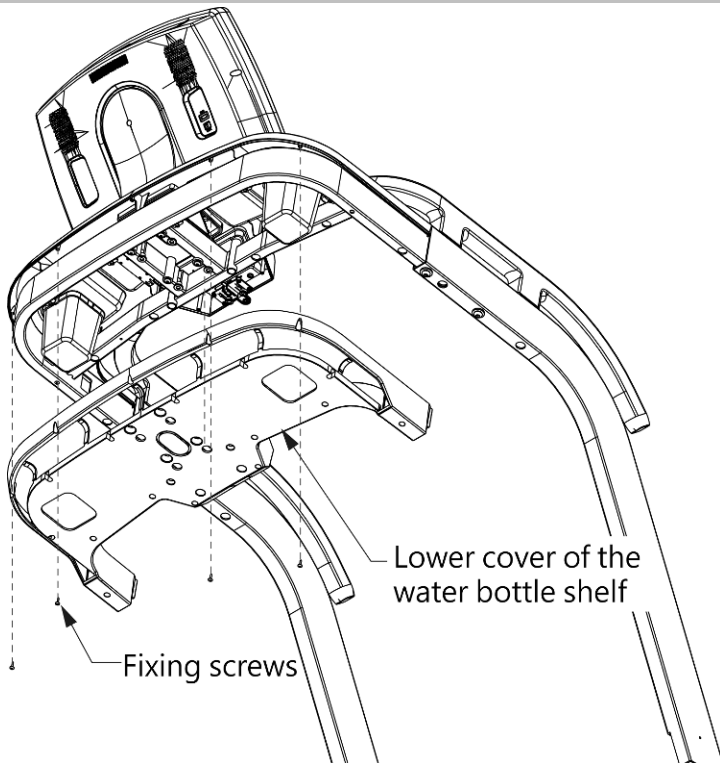
Loosen the screw to take off the left and right decoration covers of the upright tubes.

### STEP 2



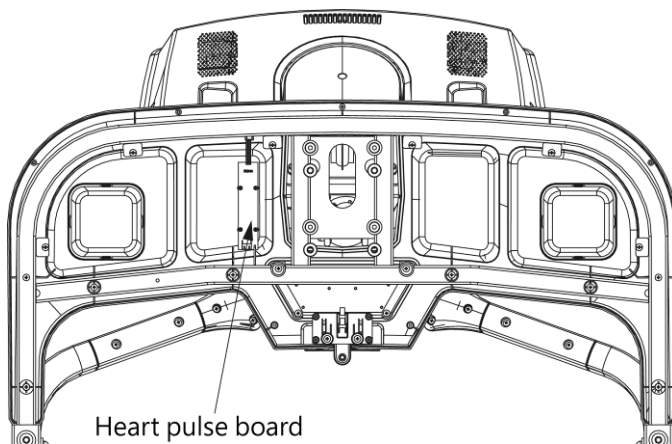
Loosen the screws on the image above.

## STEP 1



Take off the fixing screws, and then take out the lower cover of the water bottle shelf.

## STEP 2



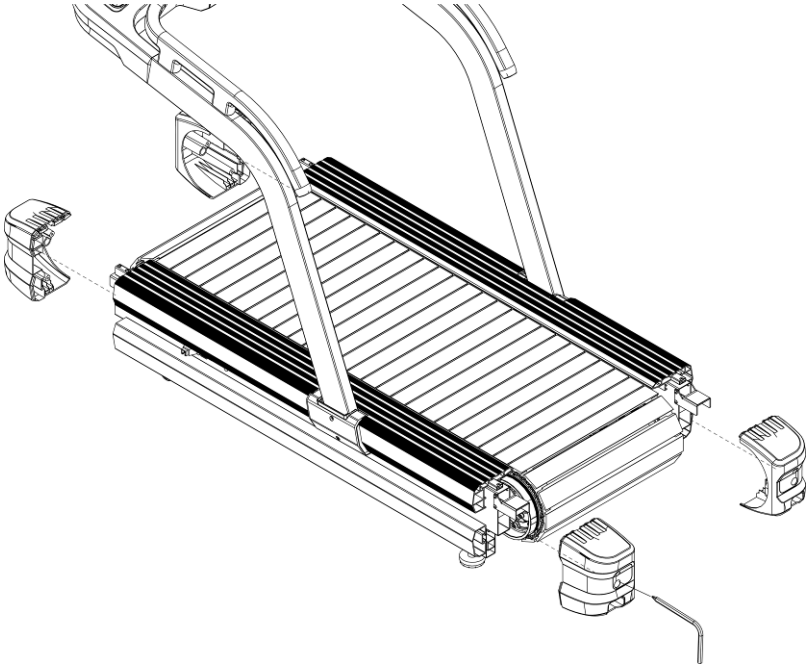
Pull out the wires of the wire collection board or heart pulse board, loosen the fixing screws to change new panel, after that, plug back the wires to the original positions. Finally, lock back the screws.

Cover back the lower cover of the water bottle shelf, and drive back the fixing screws.

## 7. Change Rails

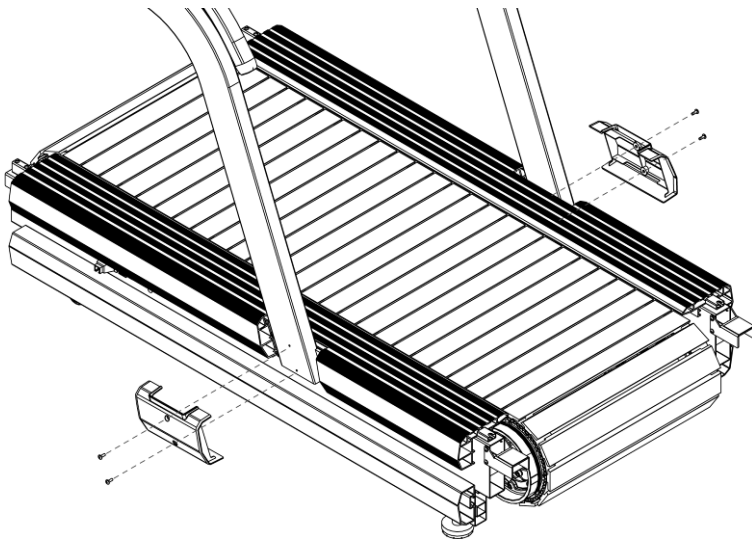
### STEP 1

Take off the front and rear end cap with cross screw driver.



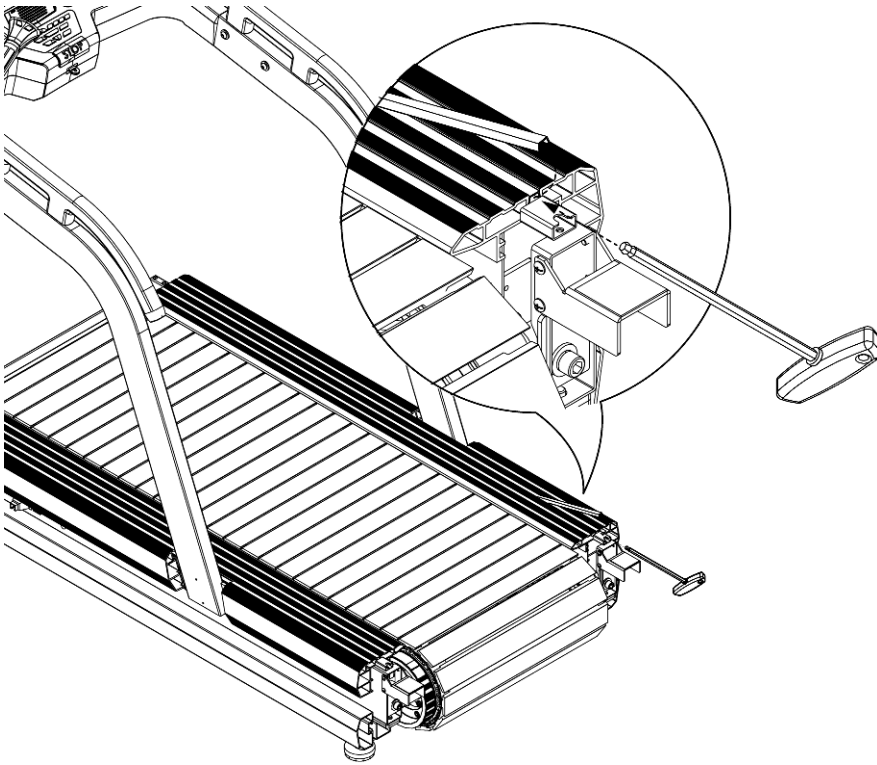
### STEP 2

Disassemble the protection covers of the upright tubes at two sides with cross screw driver.



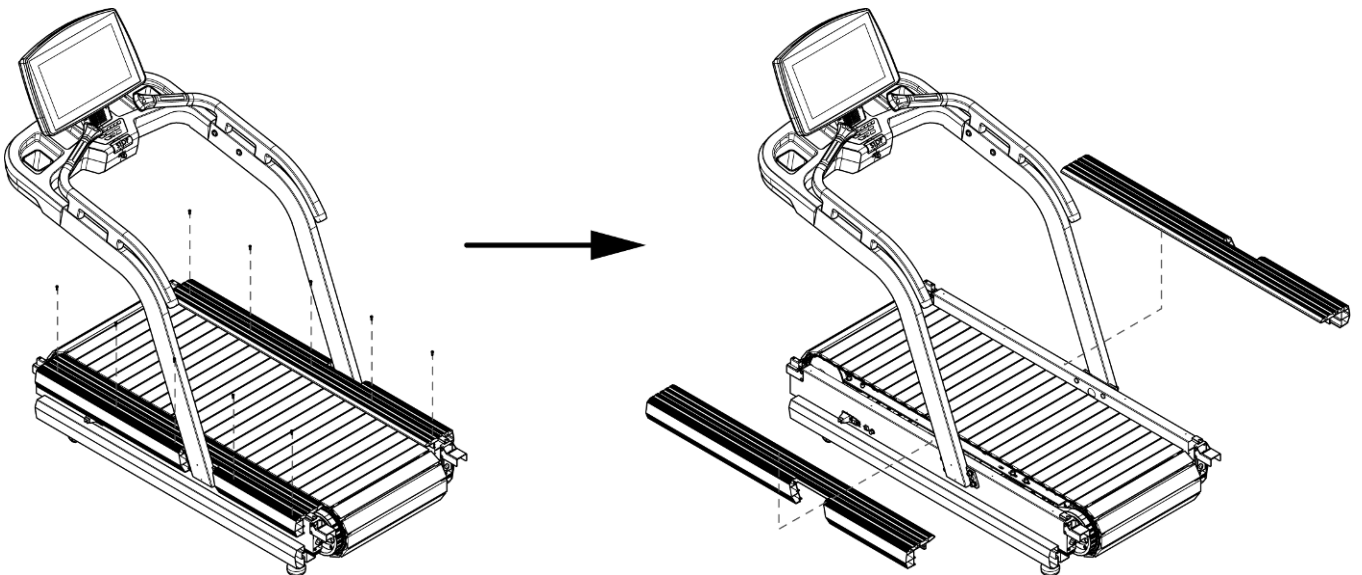
### STEP 3

Pull up the decoration plate of the pedal lightly with screw driver to take off the pedal decoration plate.



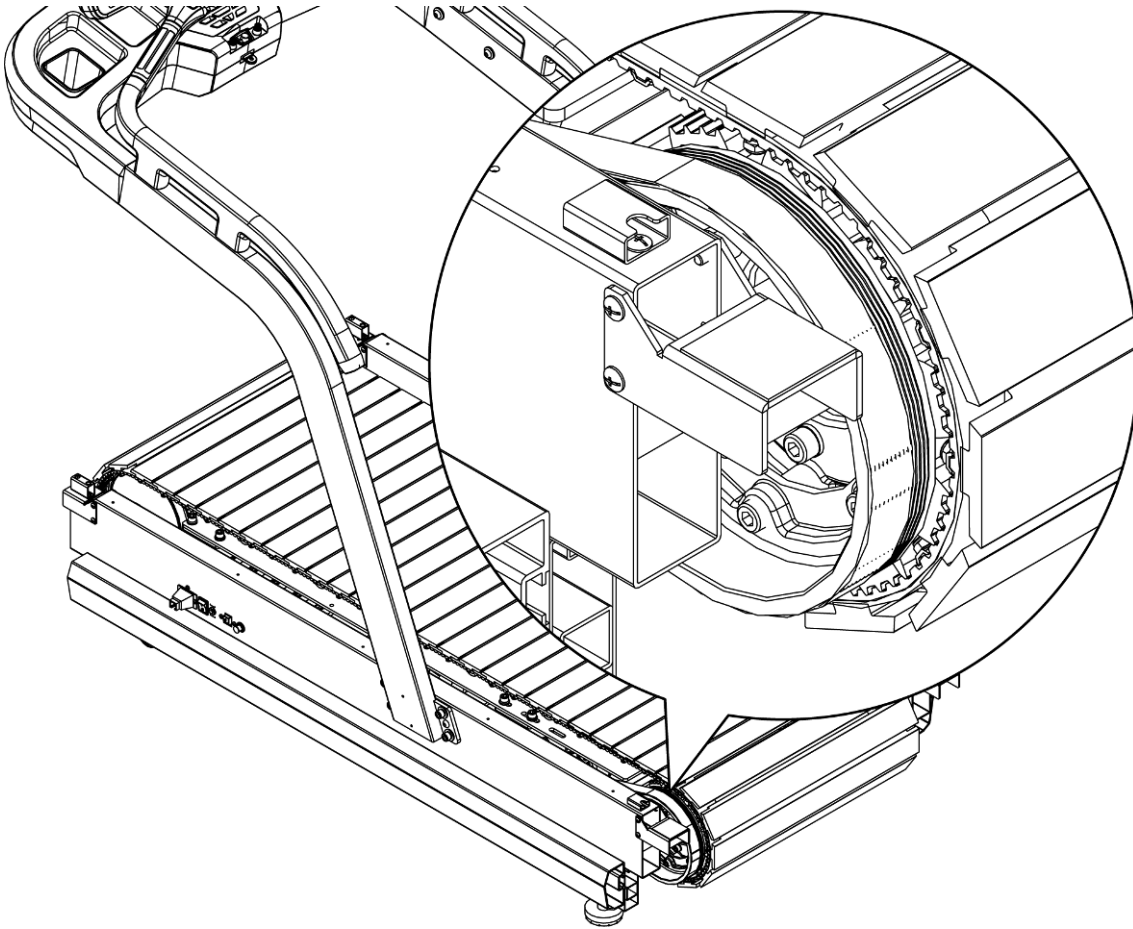
### STEP 4

Disassemble the screws on the pedals with cross screw driver, and then take off the pedals.



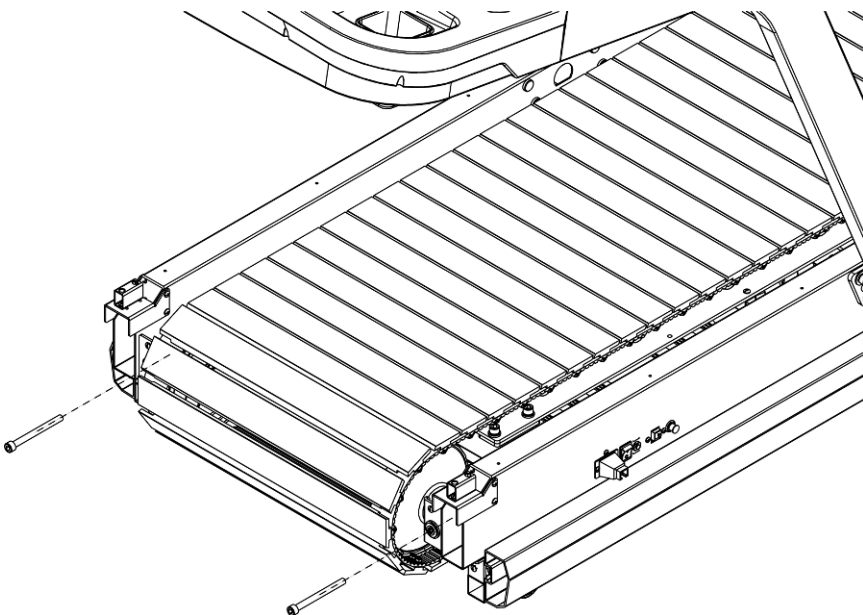
## STEP 5

Take off the multi-groove belt.



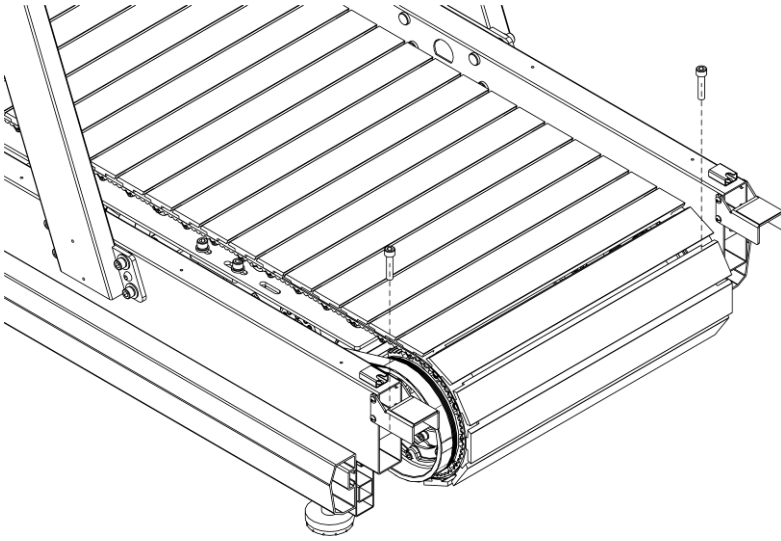
## STEP 6

With hex wrench to take off the adjusting screws on the front roller.



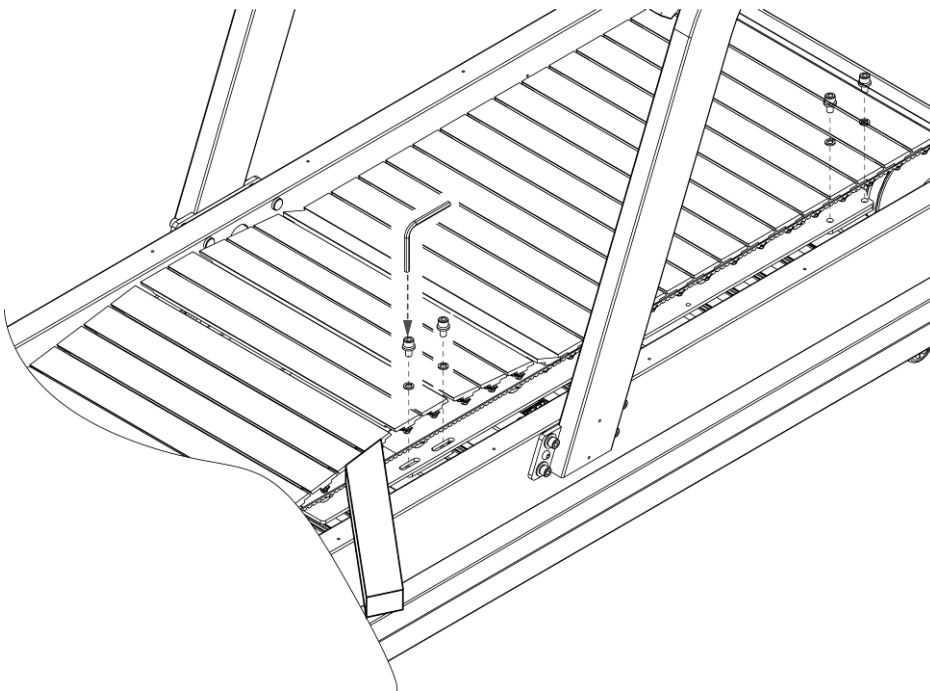
## STEP 7

With hex wrench to take off the adjusting screws on the rear roller.



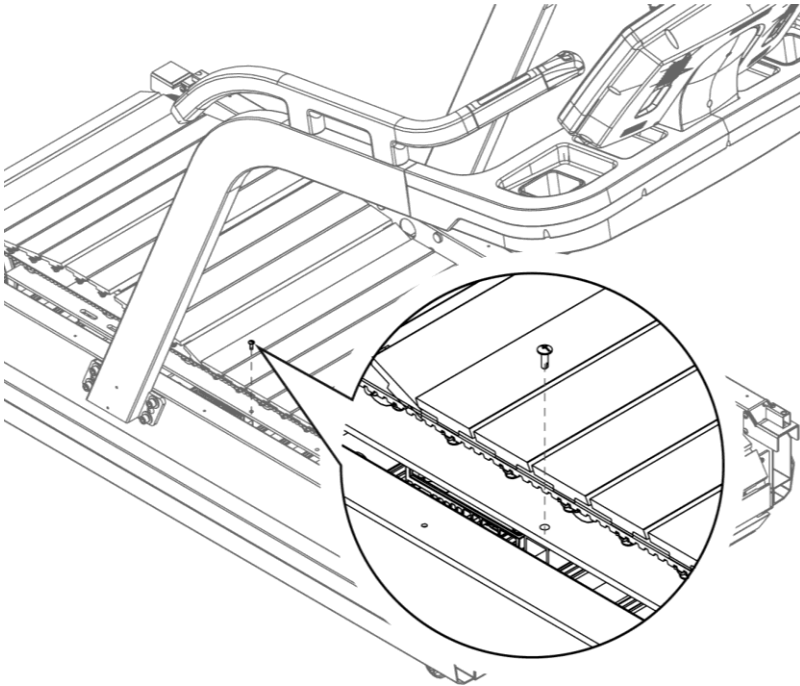
## STEP 8

Put a log or something with square shape just as the image into the running belt to make room under the belt, and then to disassemble the screws on the rails.



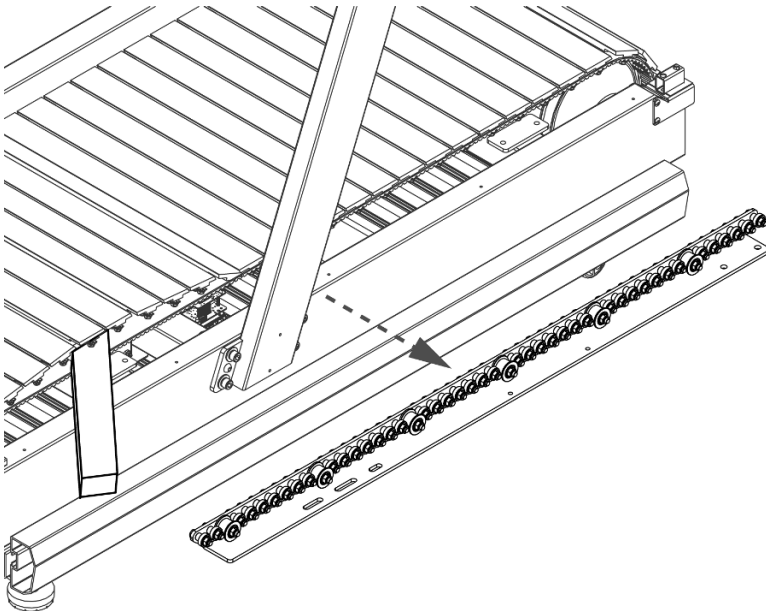
## STEP 9

Take off the screws in the middle of the rail with cross screw driver.



## STEP 10

After the previous step, the rails can be disassembled.



Attention: if there is abnormal noise from the bearing, please check the bearings one by one to change the one with abnormal noise.

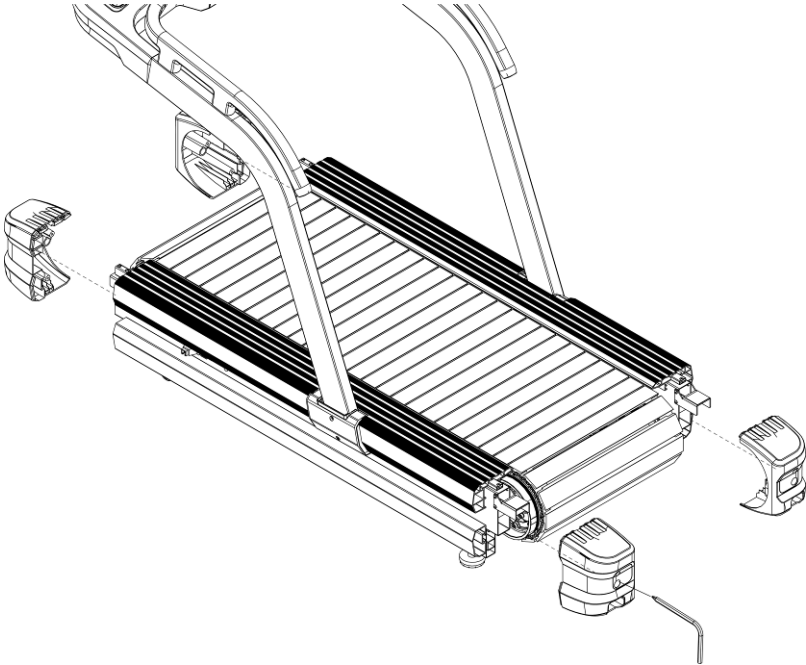
After changing, please install back the parts in the reversed orders of the disassembly before.



## 8. Change Front Roller

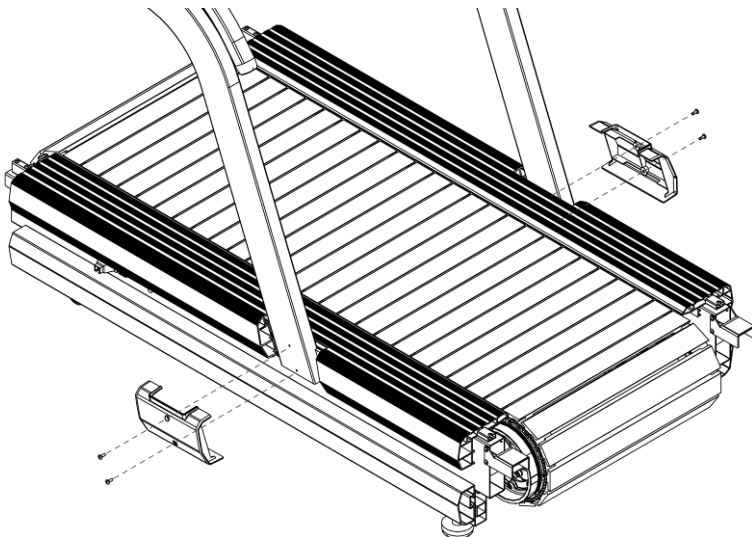
### STEP 1

Take off the front and rear end cap with cross screw driver.



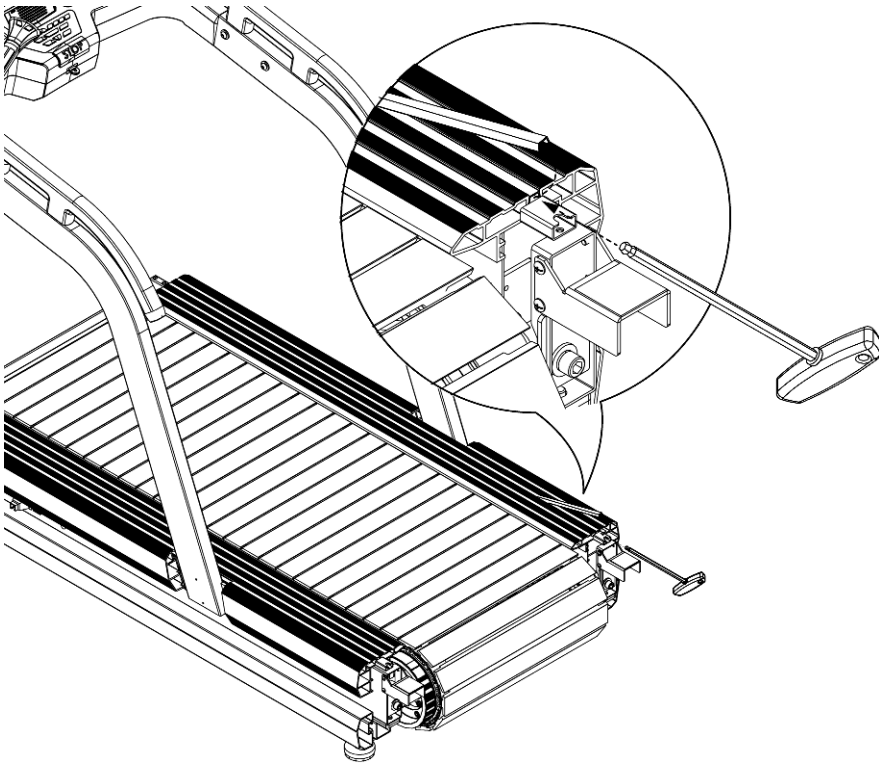
### STEP 2

Disassemble the protection covers of the upright tubes at two sides with cross screw driver.



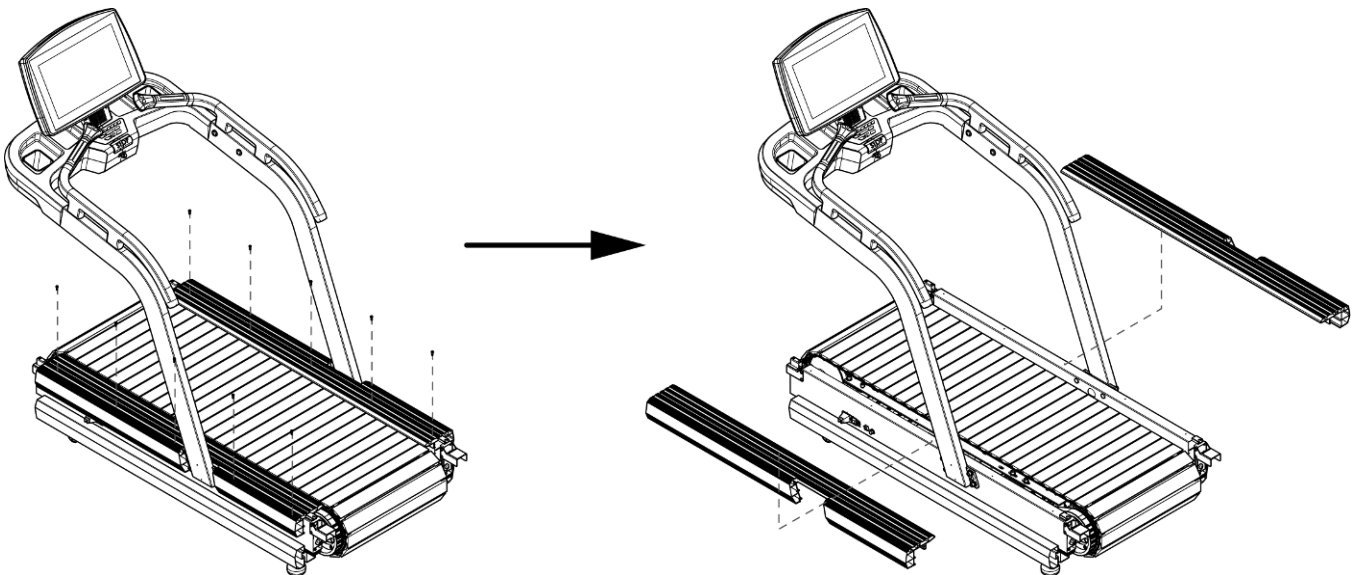
### STEP 3

Pull up the decoration plate of the pedal lightly with screw driver to take off the pedal decoration plate.



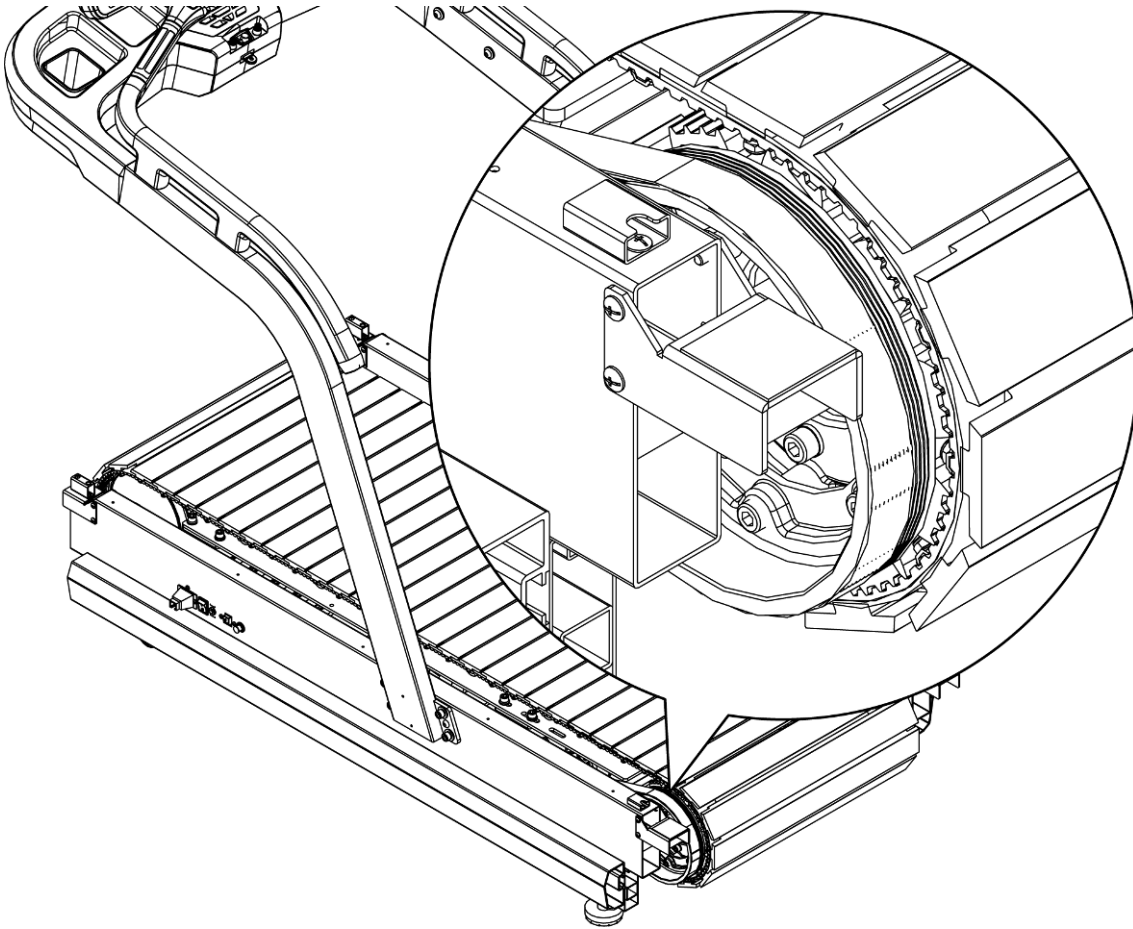
### STEP 4

Disassemble the screws on the pedals with cross screw driver, and then take off the pedals.



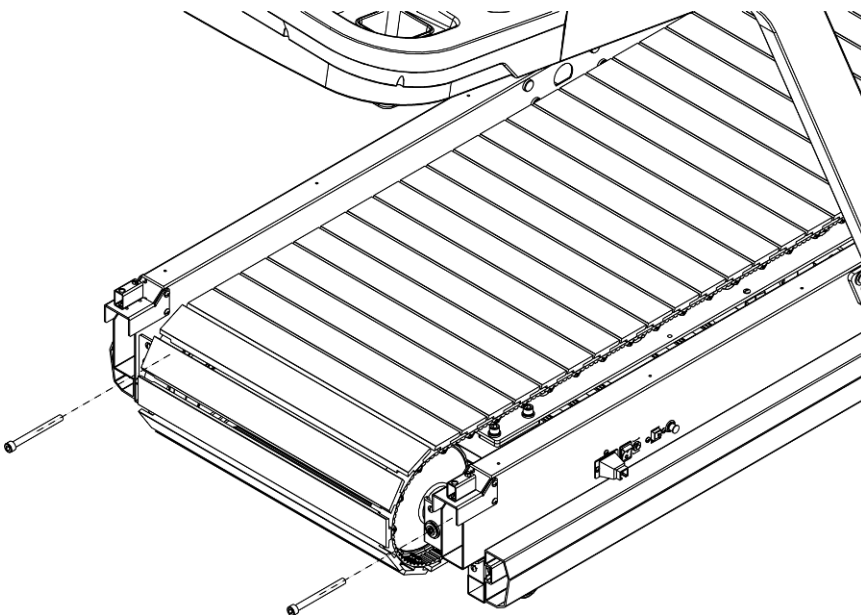
## STEP 5

Take off the multi-groove belt.



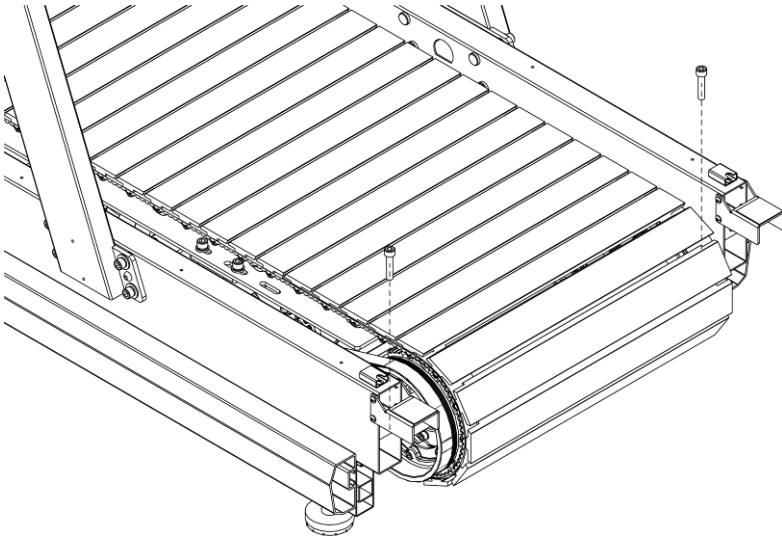
## STEP 6

With hex wrench to take off the adjusting screws on the front roller.



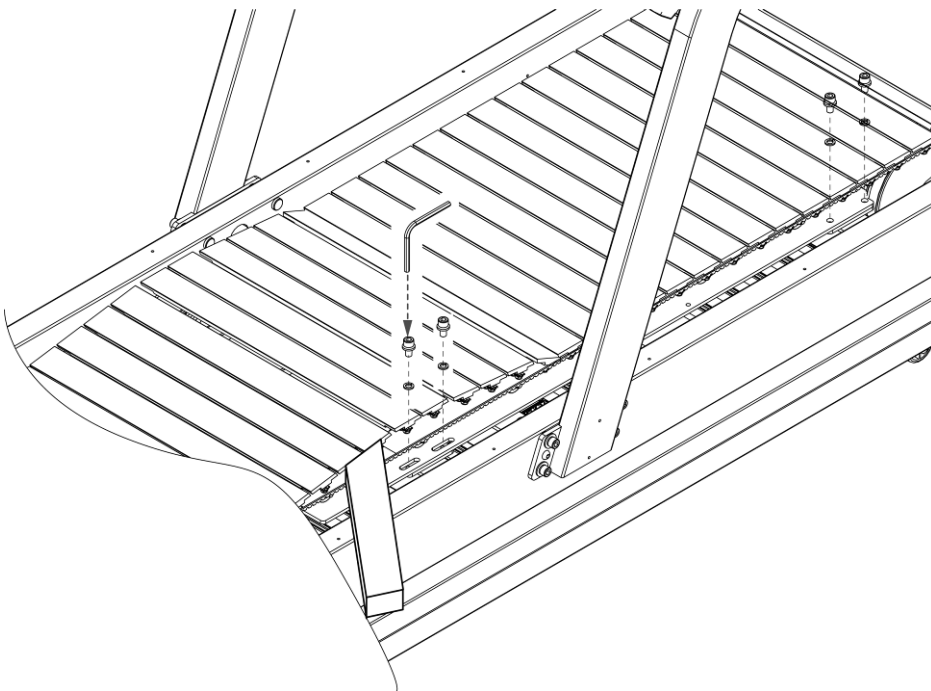
## STEP 7

With hex wrench to take off the adjusting screws on the rear roller.



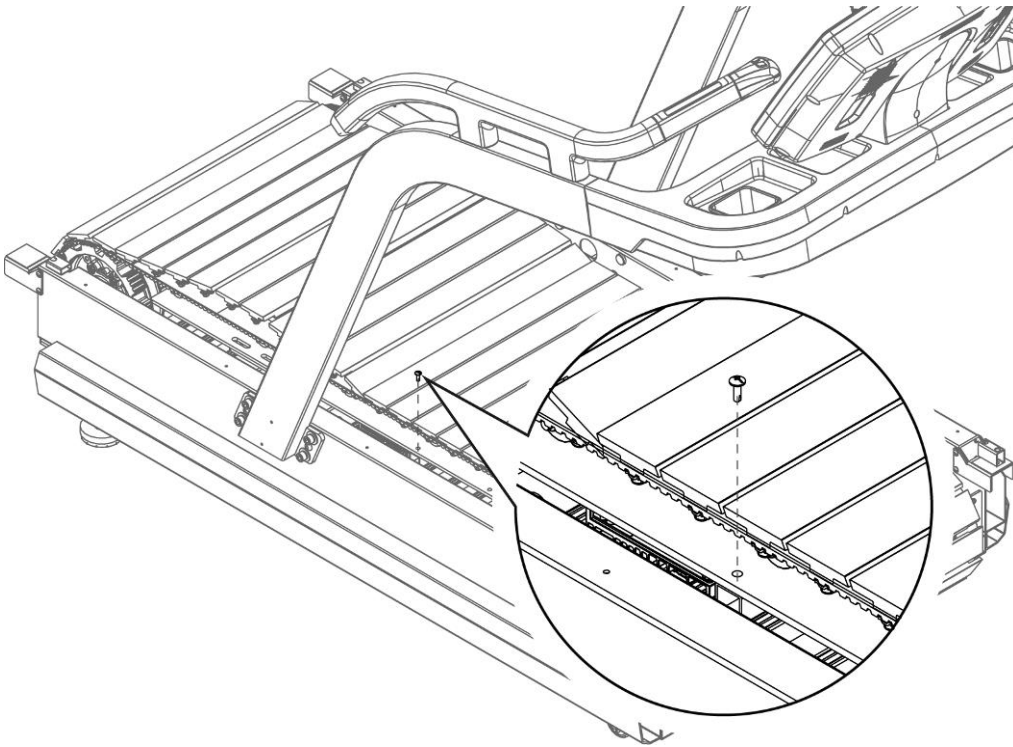
## STEP 8

Put a log or something with square shape just as the image into the running belt to make room under the belt, and then to disassemble the screws on the rails.



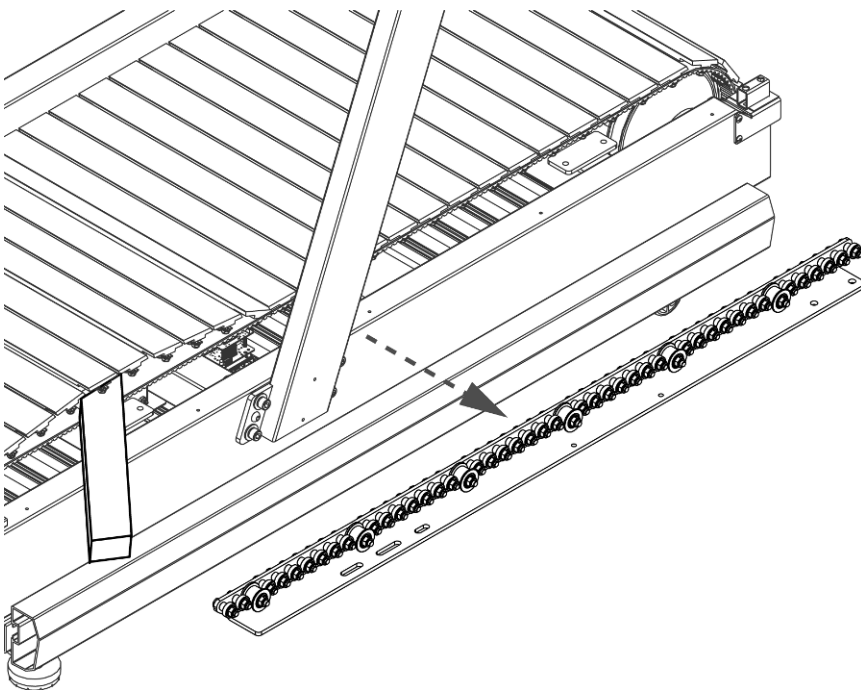
## STEP 9

Take off the screws in the middle of the rail with cross screw driver.



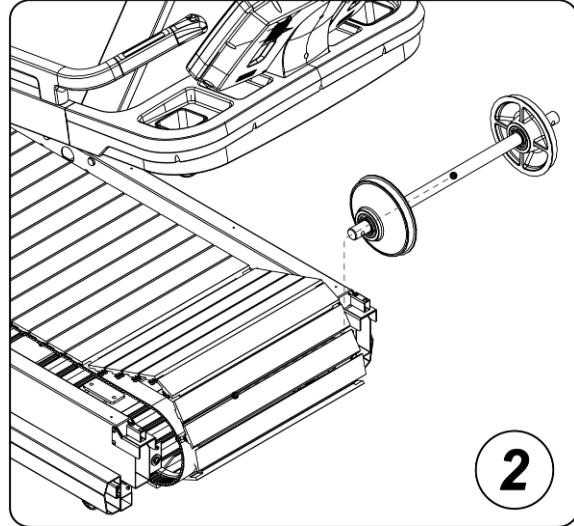
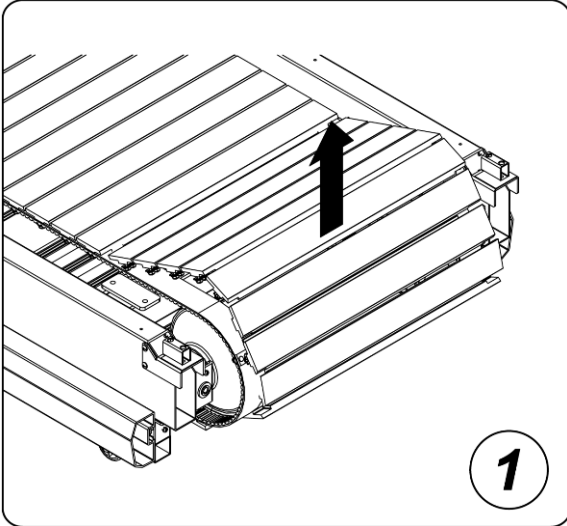
## STEP 10

After the previous step, the rails can be disassembled.



## STEP 11

This step needs two person, one to heighten the running belt, the other to take off the front roller.



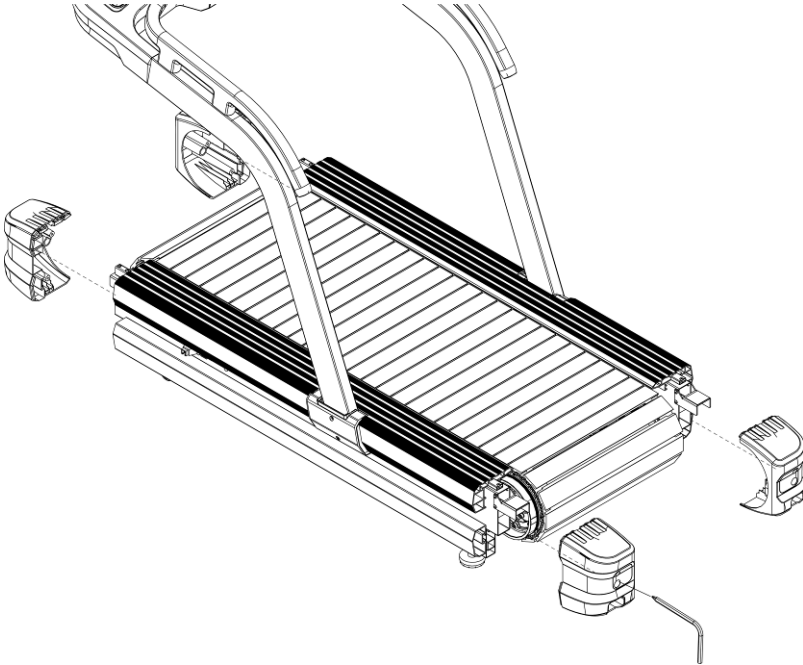
Attention: when take off the front roller, please do not damage the roller.

After changing, please install back the parts in the reversed orders of the disassembly before.

## 9. Change Rear Roller

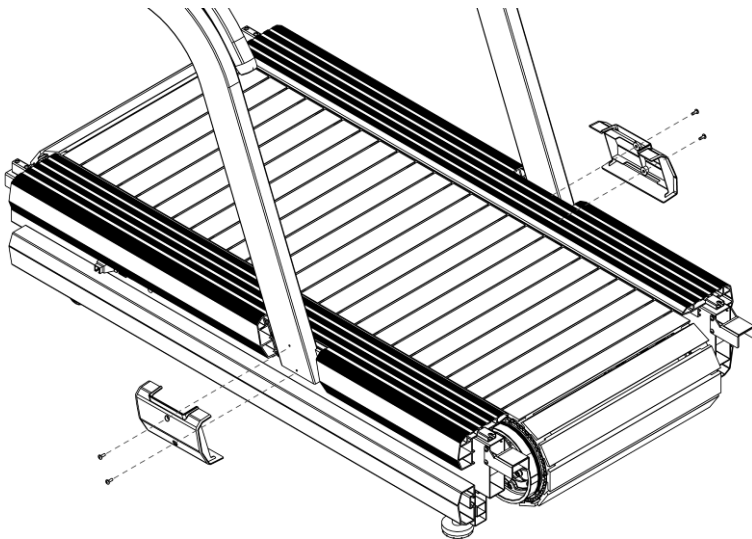
### STEP 1

Take off the front and rear end cap with cross screw driver.



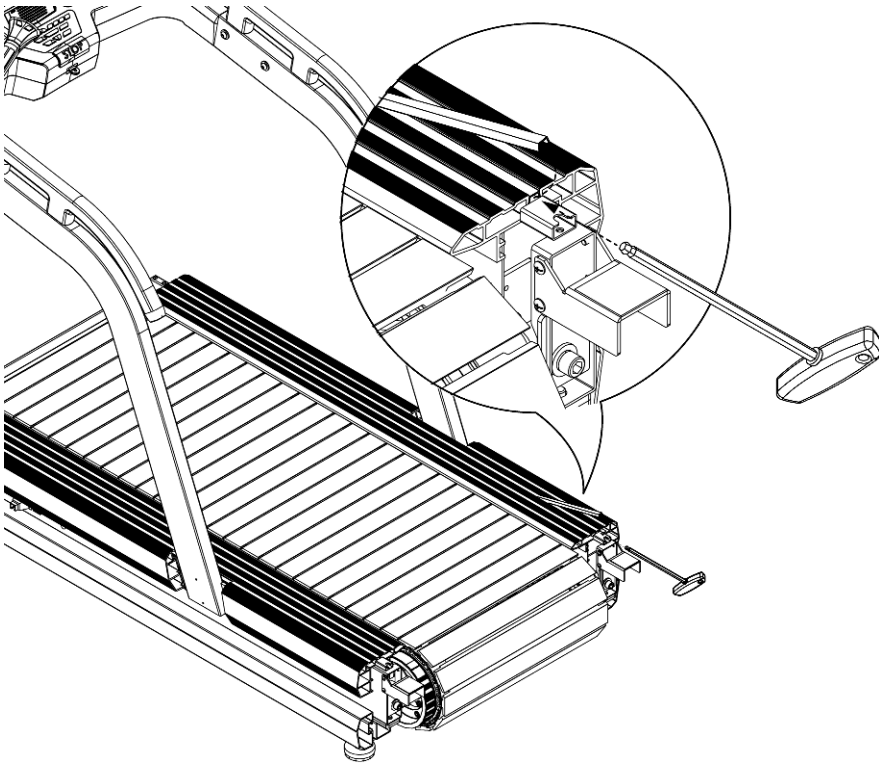
### STEP 2

Disassemble the protection covers of the upright tubes at two sides with cross screw driver.



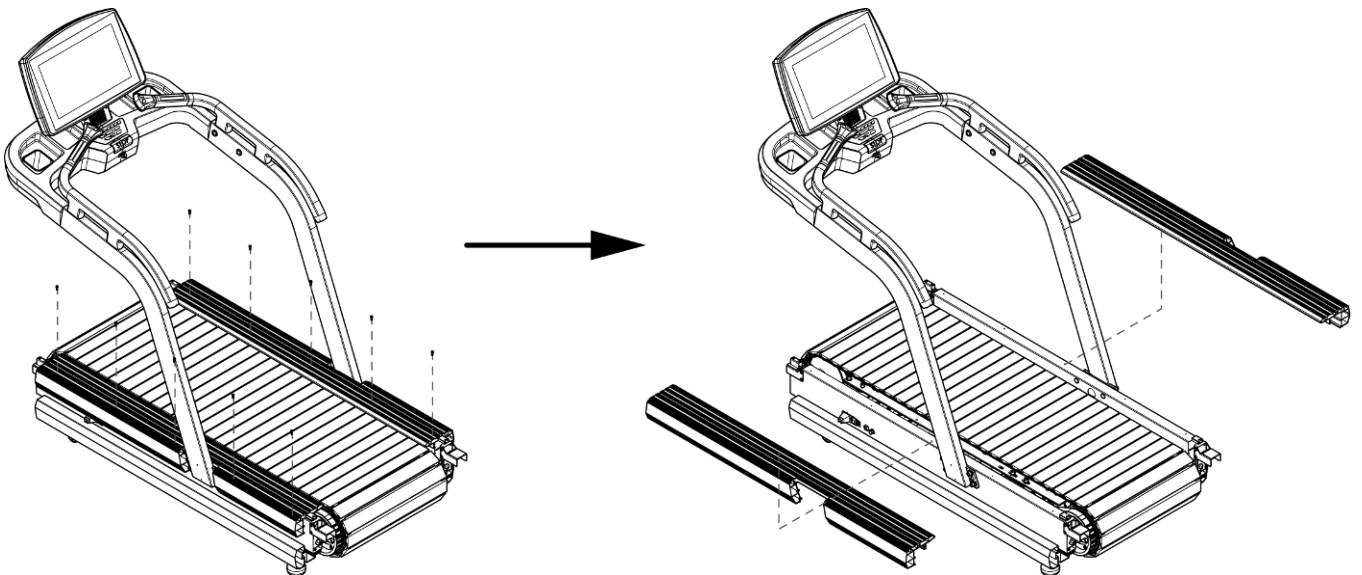
### STEP 3

Pull up the decoration plate of the pedal lightly with screw driver to take off the pedal decoration plate.



### STEP 4

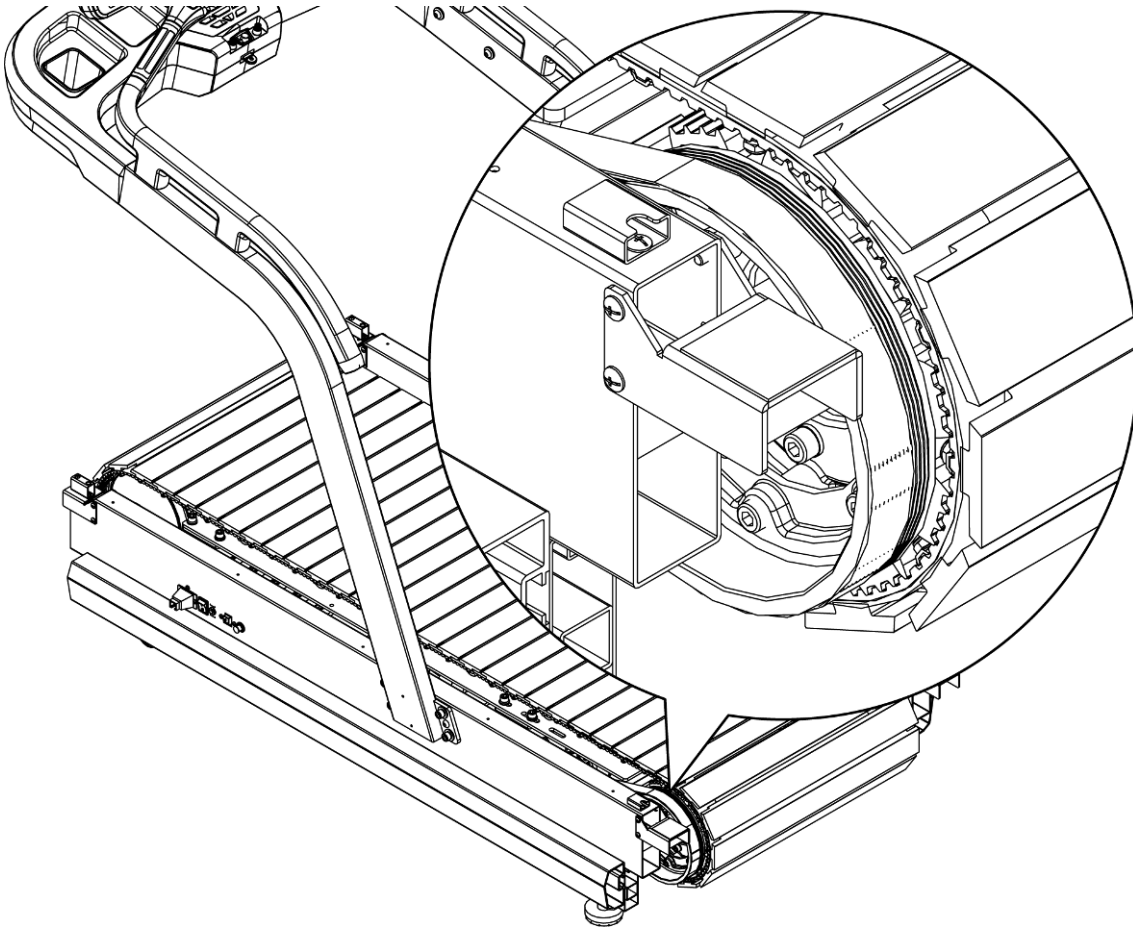
Disassemble the screws on the pedals with cross screw driver, and then take off the pedals.





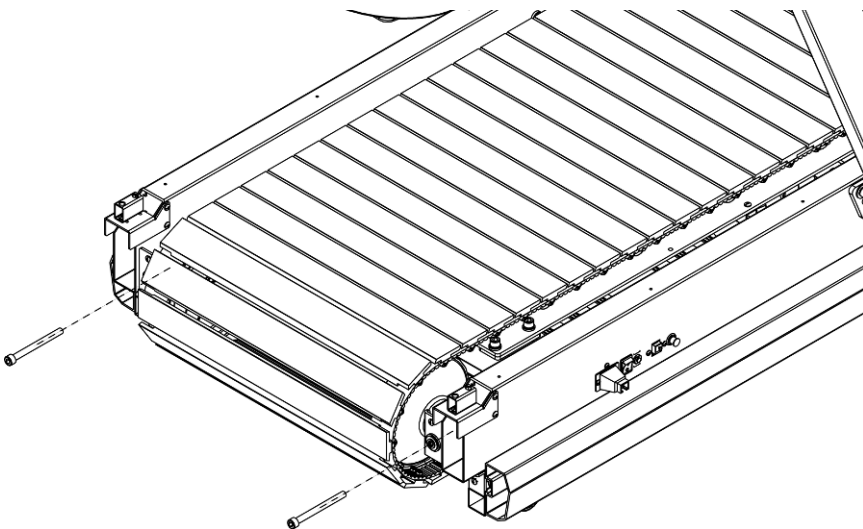
## STEP 5

Take off the multi-groove belt.



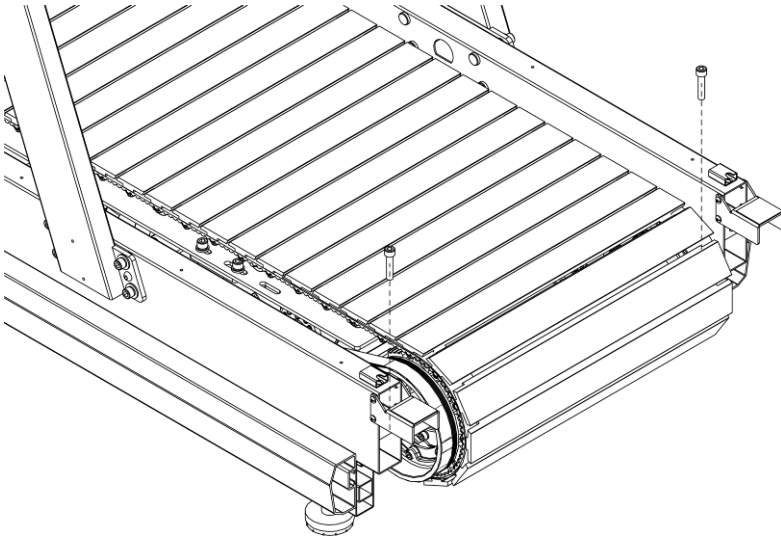
## STEP 6

With hex wrench to take off the adjusting screws on the front roller.



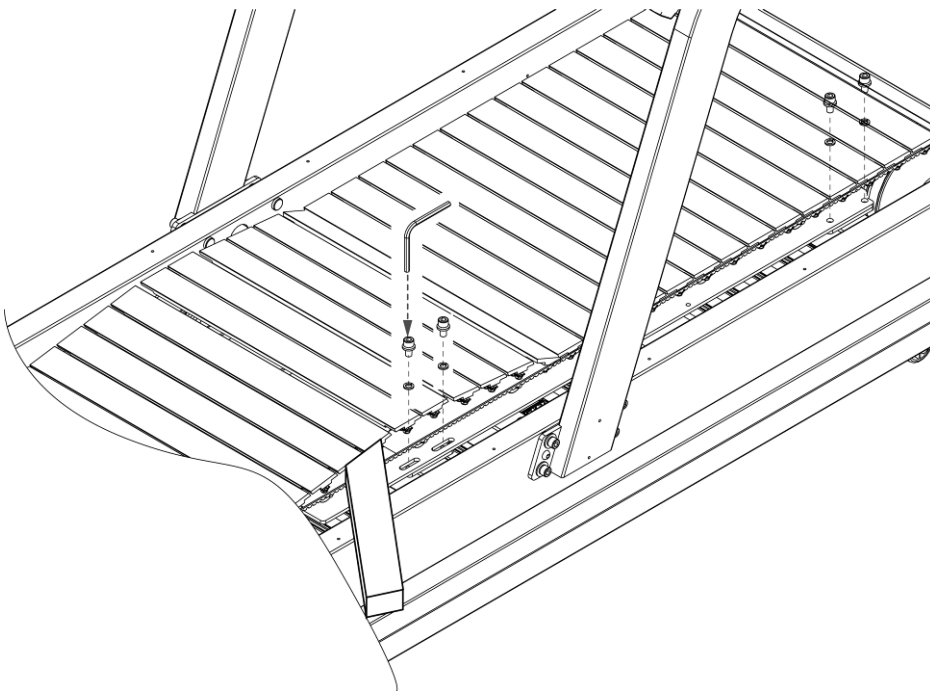
## STEP 7

With hex wrench to take off the adjusting screws on the rear roller.



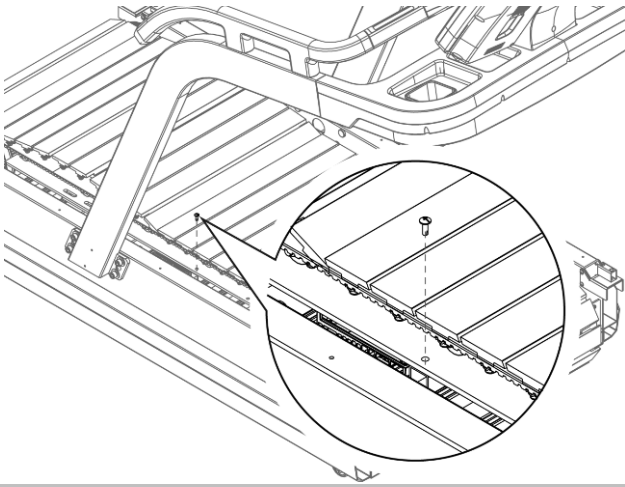
## STEP 8

Put a log or something with square shape just as the image into the running belt to make room under the belt, and then to disassemble the screws on the rails.



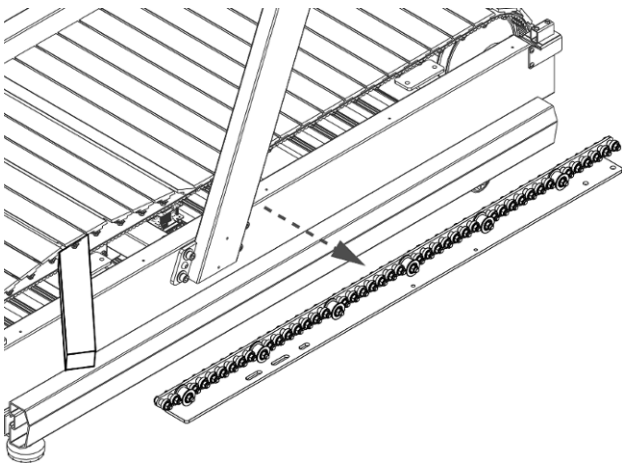
## STEP 9

Take off the screws in the middle of the rail with cross screw driver.



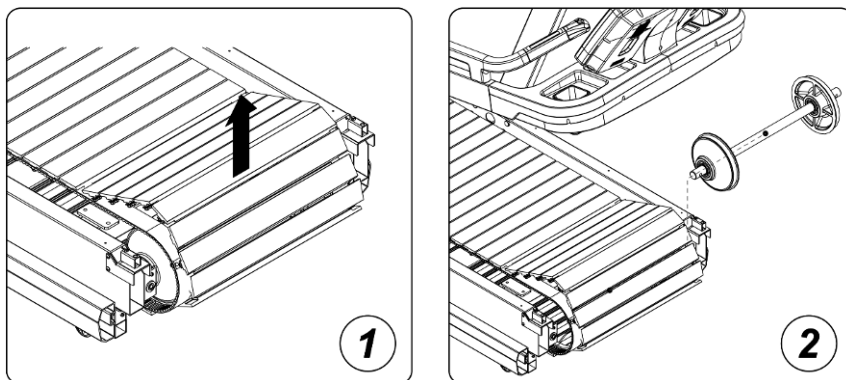
## STEP 10

After the previous step, the rails can be disassembled.



## STEP 11

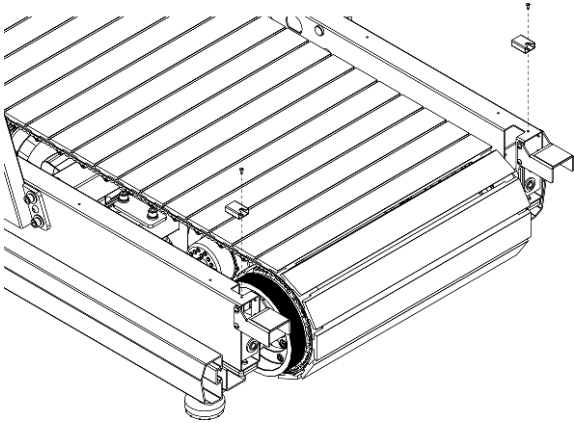
This step needs two person, one to heighten the running belt, the other to take off the front roller.



Attention: when take off the front roller, please do not damage the roller.

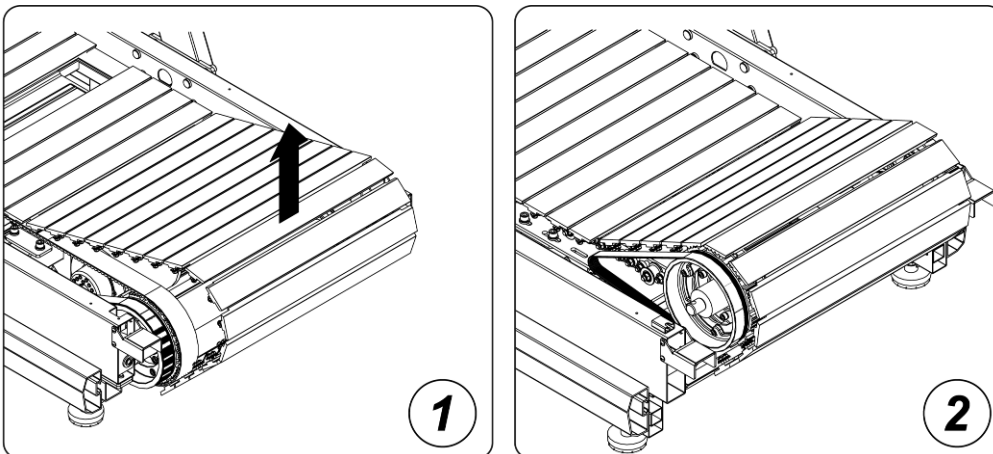
## STEP 12

With cross opener, take off the strengthen tubes at two sides of the rear roller.



## STEP 13

With two person, one to pull up the running belt, the other to hold the multi-groove belt to heighten the rear roller. When the height is over the iron tube surface, take out the rear roller.

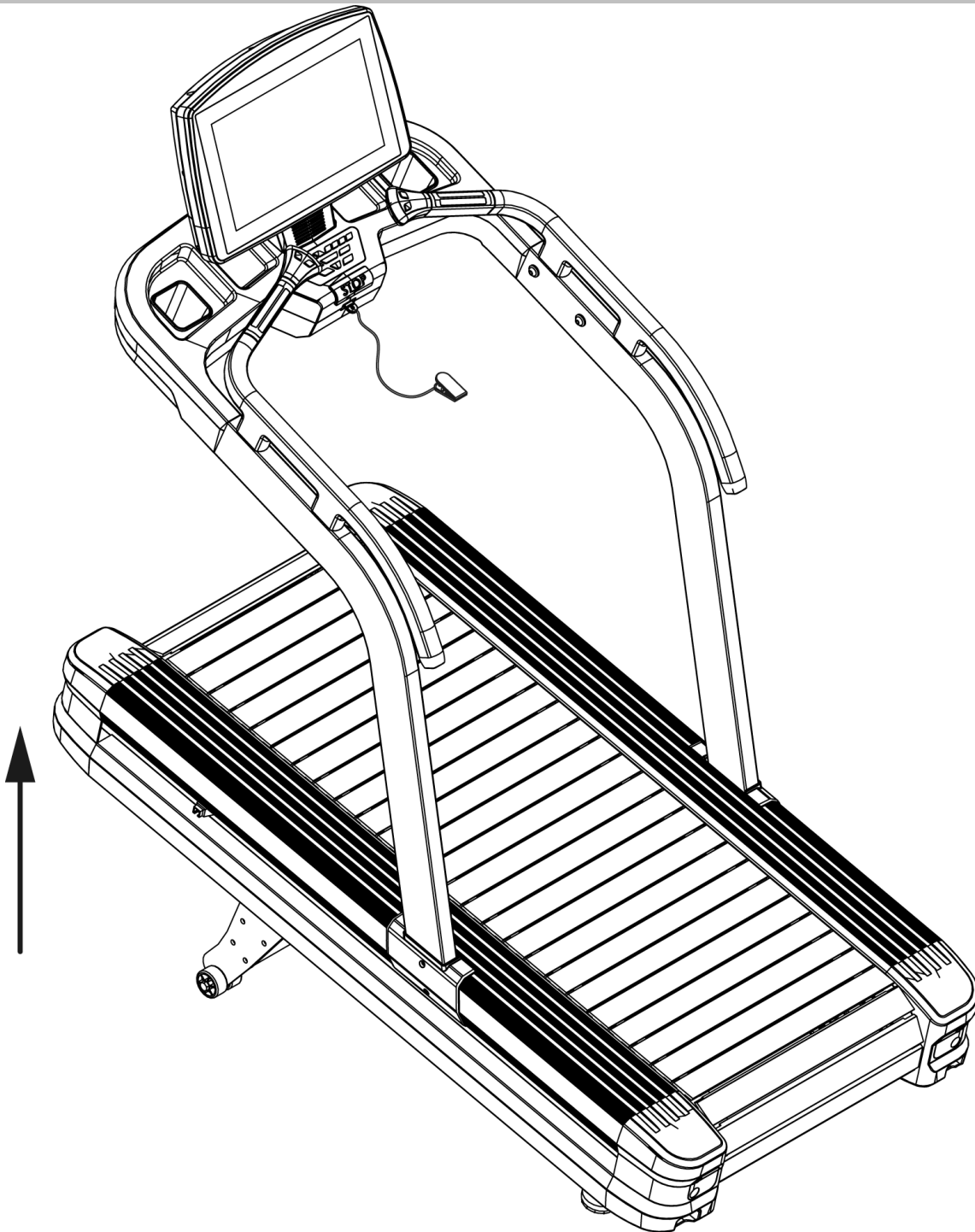


Attention: please do not damage the rear roller.

After changing, please install back the parts in the reversed orders of the disassembly before.

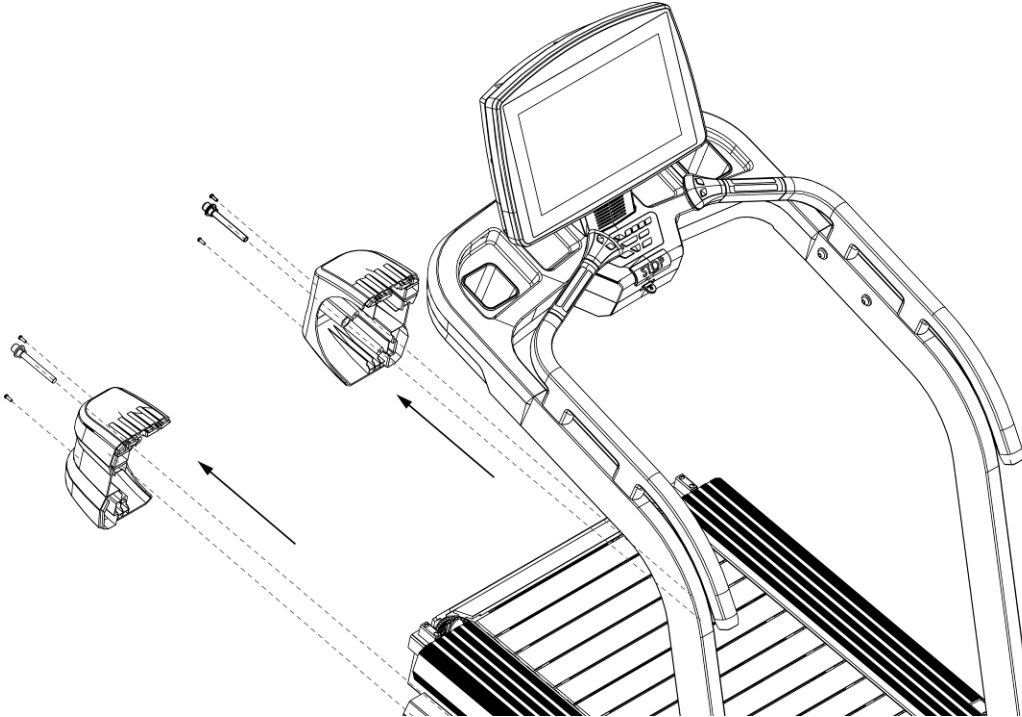
## 10. Change lower controller, filter, electricity pole, ERP small board, magnetic brake

### STEP 1



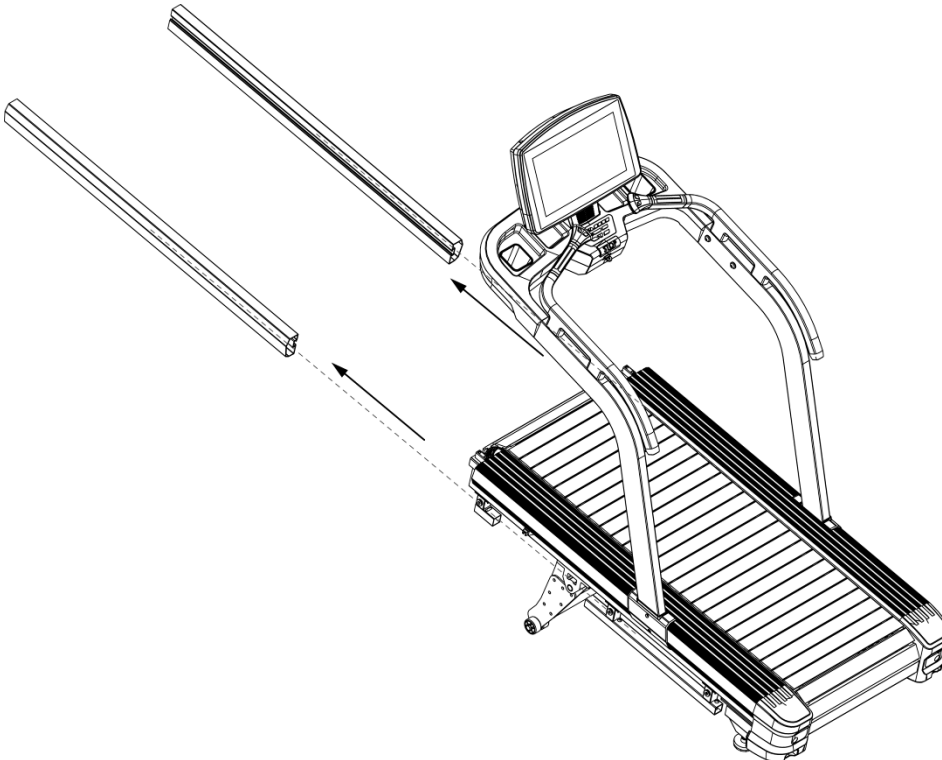
Firstly, incline the machine to the highest point, and then power off and plug out the power cable to keep the machine in this position.

## STEP 2



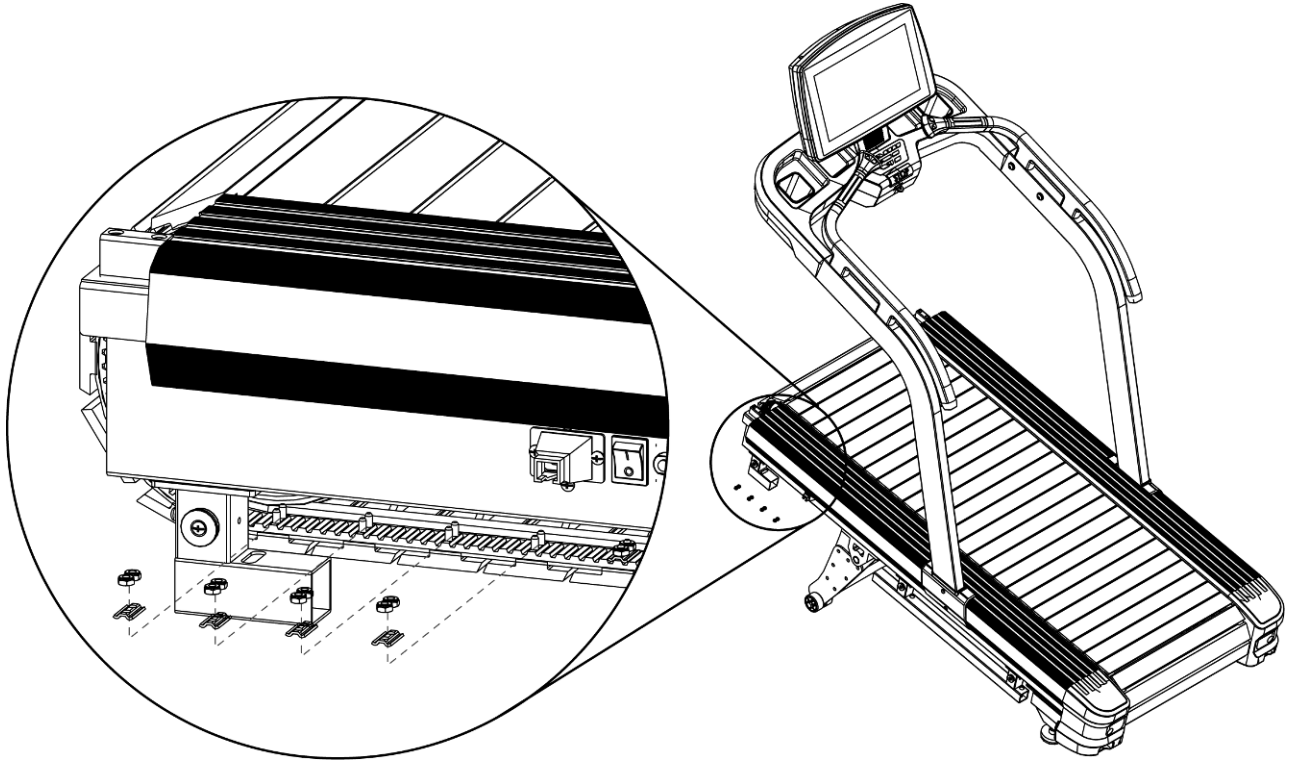
Loosen the fixing screws for the left and right front adjusting caps, and take off the adjusting caps.

## STEP 3



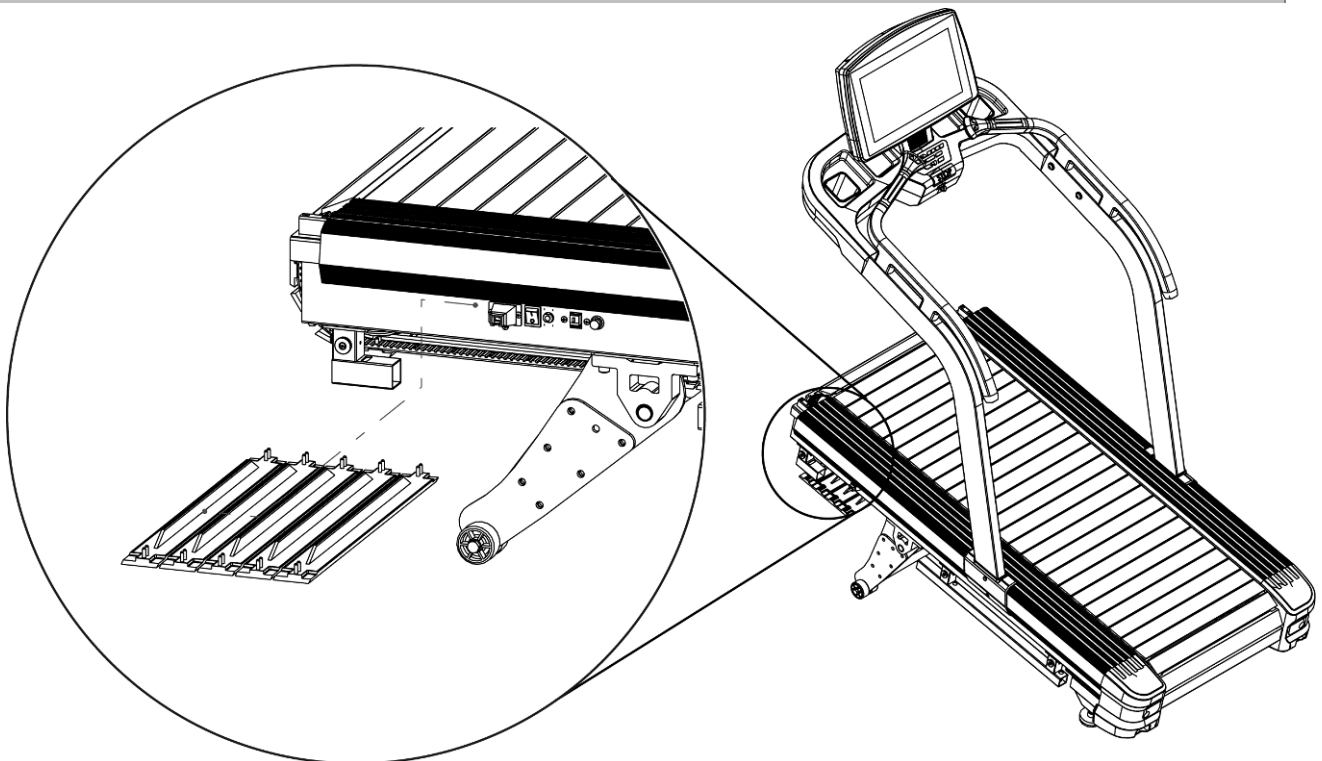
Draw out the left and right side boards.

## STEP 4



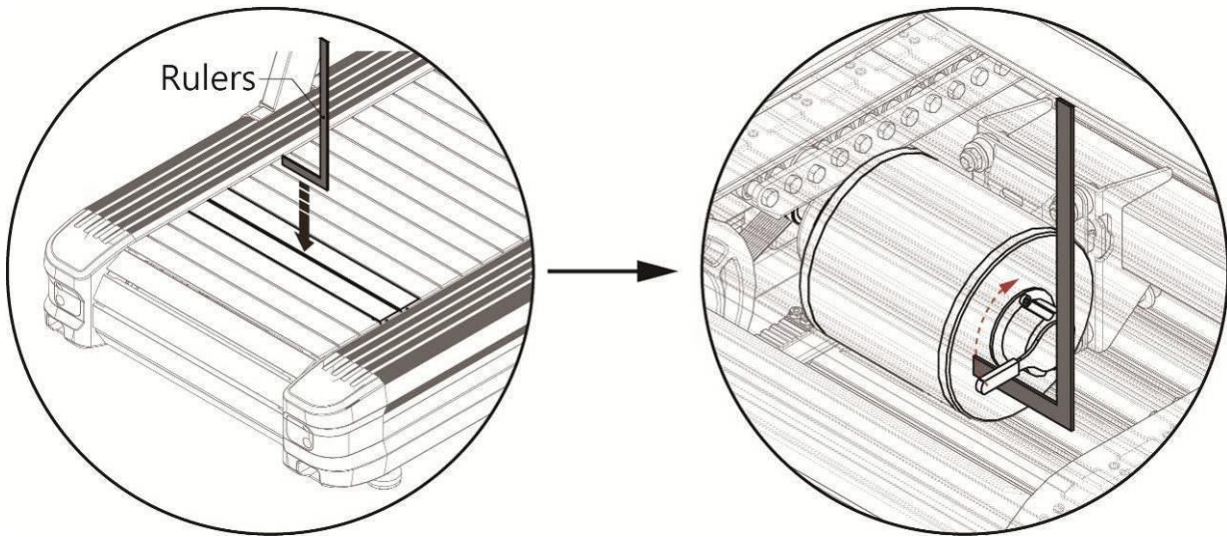
Loosen 4-5 pieces of nylon nuts and padding plated in the running board, according to the image.

## STEP 5



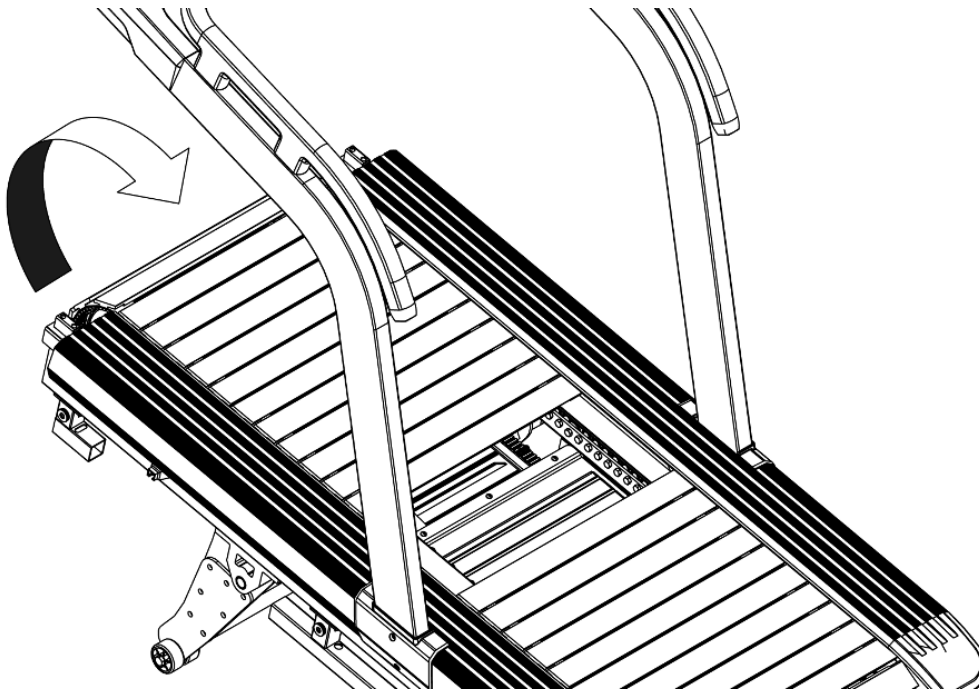
Take off 4~5 pieces of running boards.

## STEP 6



Pull up the rod of magnetic brake behind the motor with a tool (as rulers) to loosen the magnetic brake.

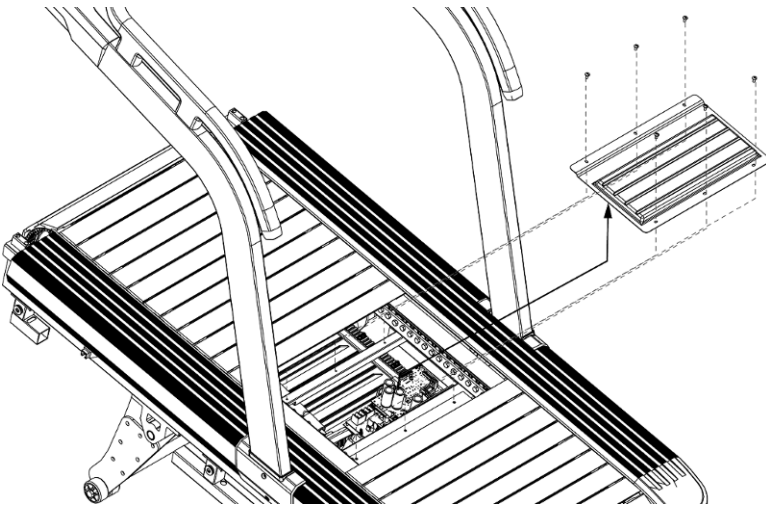
## STEP 7



Turn the running board above the water-proof board

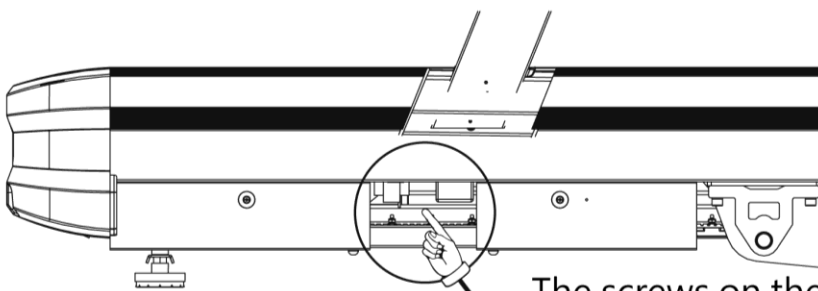
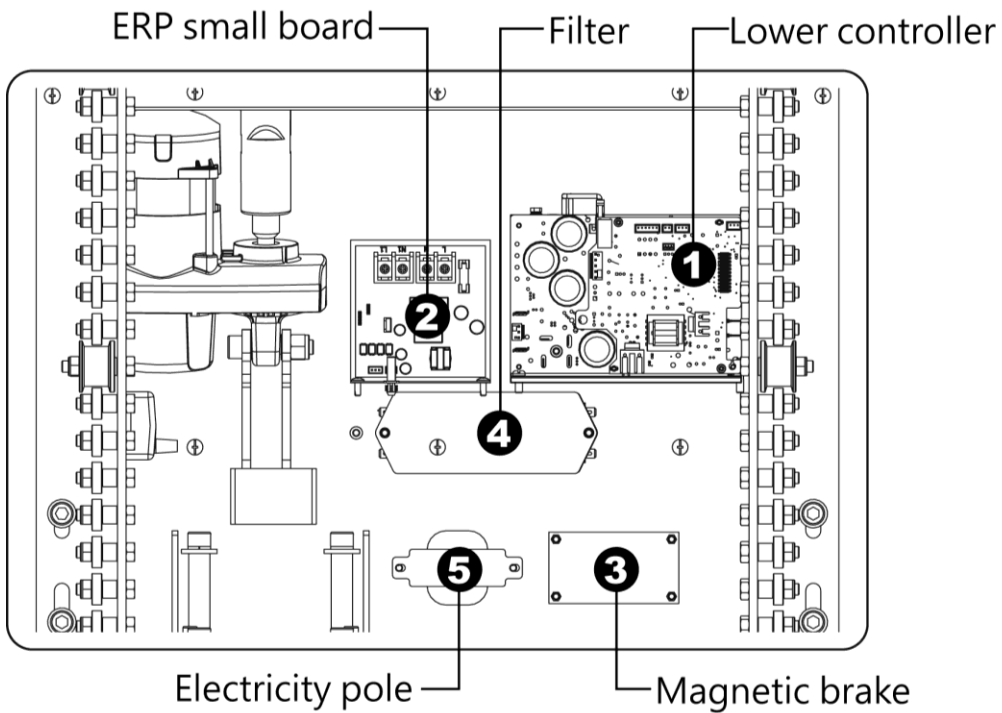


## STEP 8



Abiding by the image to loosen the screw and take off the water-proof board.

To change lower controller, filter, electricity pole, ERP small board, magnetic brake



The screws on the magnetic brake, filter, electricity pole should be loosened at this point to do change.